

## Model SLL-10

### Features :

- Advanced emergency lighting system based on latest solid state illumination technology;
- Extended battery operating hours thanks to extremely low LED power consumption;
- Fire hazard free and low operating temperature during emergency mode.

### Specifications :

- Mains supply : 220-240Vac
- Mains Frequency : 50-60Hz
- Power Consumption : <4.0W (with battery fully charged)
- Mode of Operation : Maintained Type
- Battery Type : 8.4V/2.5AH High Temperature NiCd
- Rated Duration : >2 hours duration, others operation durations are configurable upon request.
- Charger : Variable Charging Rate
- Charging Monitor : Red LED 5mm
- Test facility : Push-off test switch
- Safety Features : Under-voltage Low Battery Cut Off to prevent Battery Over Discharge
- Recharge Duration : < 24Hours
- Dimension : L230mm x W35mm x H28mm (L x W x H)
- Weight : Approx. 0.6kg
- Standards : Designed according to IEC598-22-2, SS263: Part 2, CP19
- Approvals : Pending (PSB)

## Mechanical Outline :

(Note: actual product may differs slightly due to ongoing product improvement)

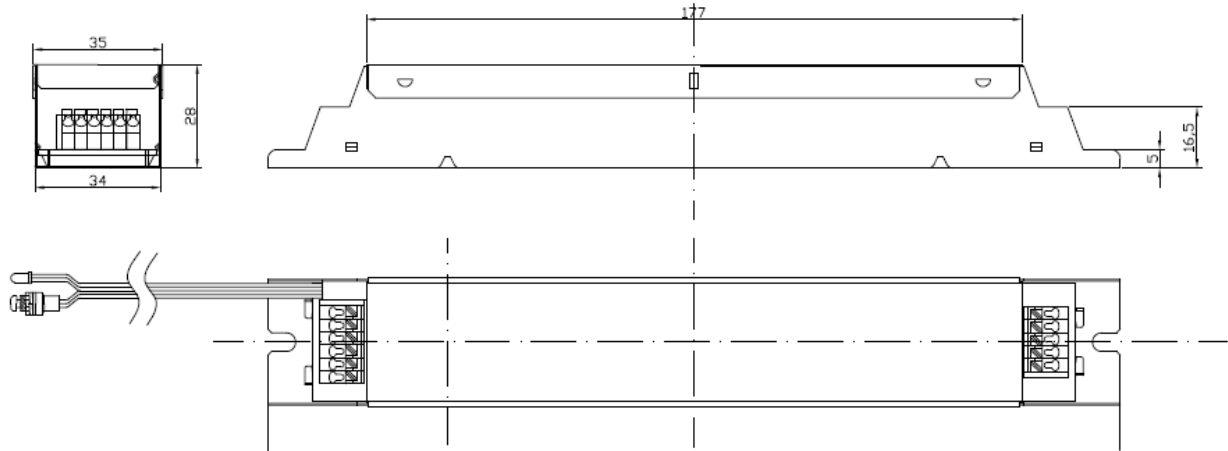
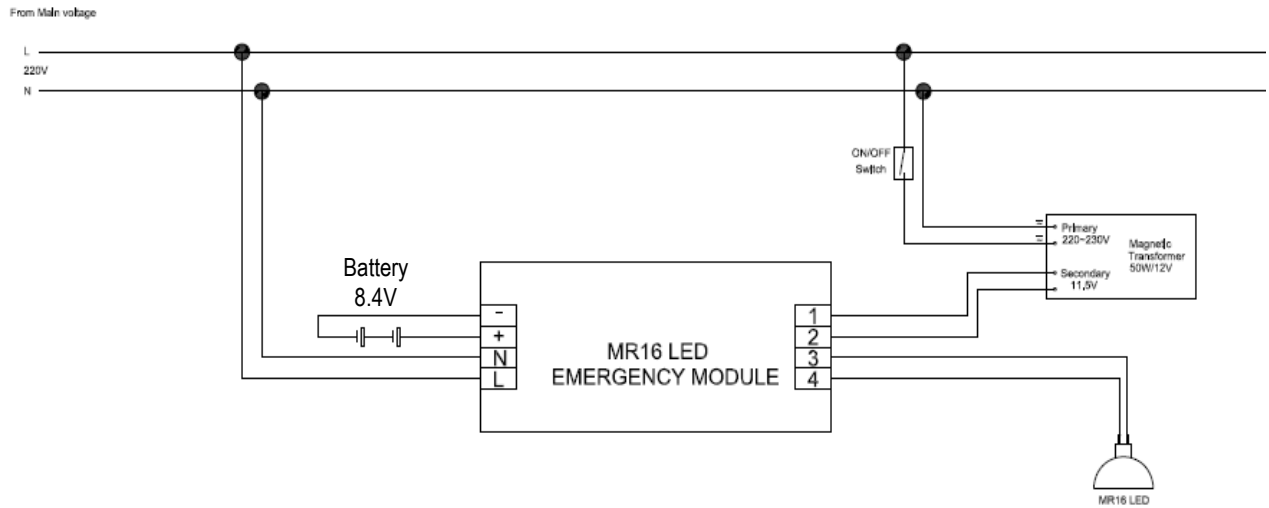


Diagram-1: mechanical outline, 230mm (L) x 35mm (W) x 28 mm (H)

## Wiring Diagram :



### Application guide:

- Install the unit according to National Electric Code;
- To ensure maximum performance of the built-in battery, please fully charge the unit for 24hours after first installation;
- Caution: any improper wiring or short-circuit may lead to permanent damage to the unit;
- Lamp wire should be as short as possible to avoid unnecessary loading to the unit;
- Mount the unit away from any heat source to further prolong service life;
- Please ensure that the operating ambient temperature is below 50°C, and maximum case temperature (tc) not exceeding 70°C;
- Do not throw or drop the unit to avoid damage the internal electronic component;
- Do not operate this unit beyond the operating supply range;
- Do not operate this unit with AC power generator;
- Caution: DO NOT dispose this LED system into fire as it contains built-in battery that may causes serious explosion!