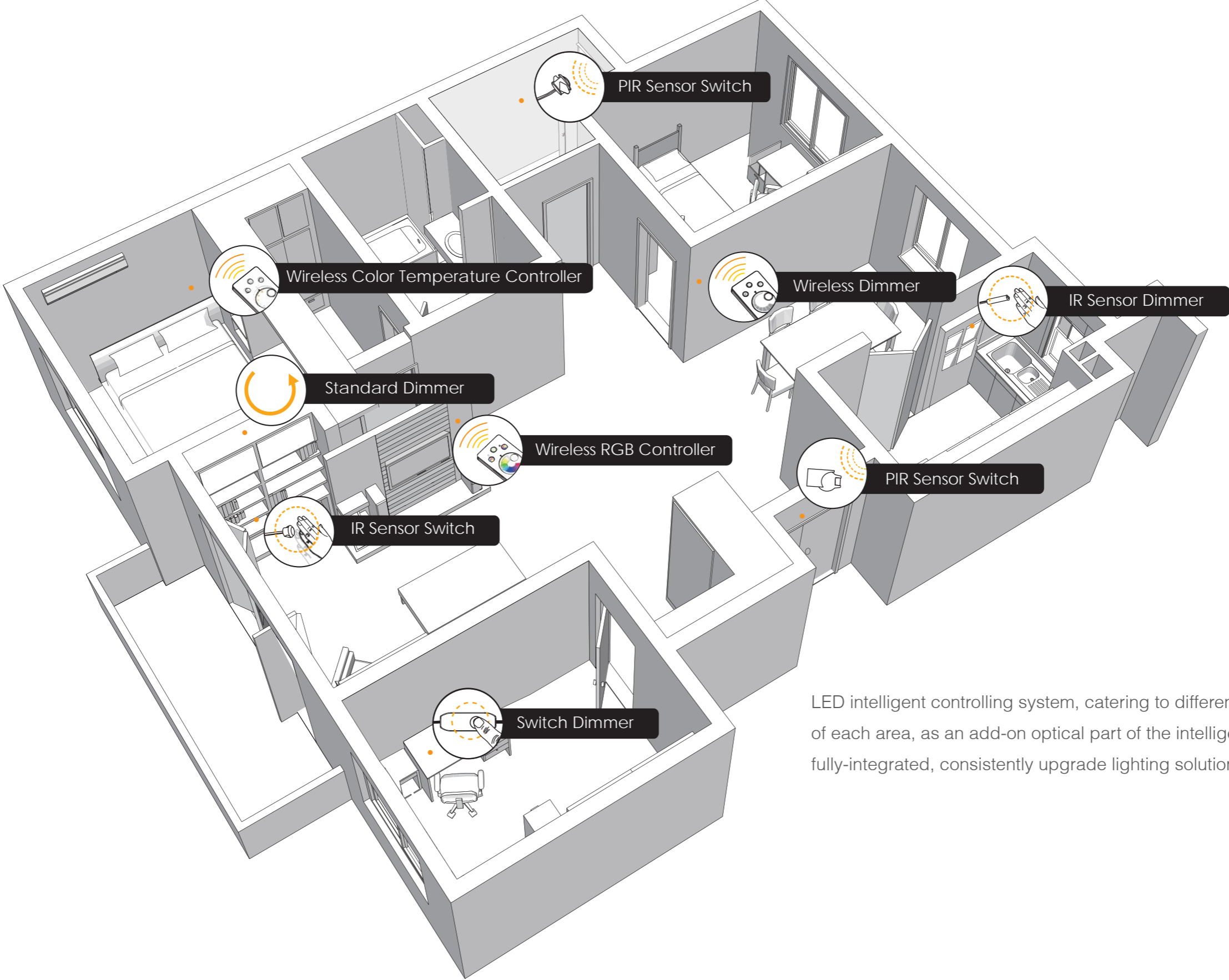


Light Controls



Controller Application Areas



LED intelligent controlling system, catering to different needs of each area, as an add-on optical part of the intelligent, fully-integrated, consistently upgrade lighting solutions.

Contents

Dimmer

Standard Dimmer



KZQ-5B /4

IR Sensor Dimmer



HZK221-1 /5



HZK230 /5

Wireless Dimmer



KZQ-8YKB/8XJB /7



KZQ-9YKB/8XJB /8

In-line Dimmer



KZQ15-24L /9

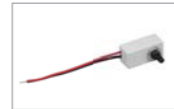


KZQ30-24E /10

1-10V Dimmer



SD702 /11



SD702-1 /12

Color Temperature Controller

Wireless Color Temperature Controller



KZQ-8YKC/8XJC/15

In-line Color Temperature Controller



KZQ-1M-3 /16

RGB Controller

Wireless RGB Controller



KZQ-14YKA/14XJA /14XJA-2 /19



KZQ-16YKA/14XJA /14XJA-2 /20

In-line RGB Controller



KZQ30-12E /21



KZQ-1M-2 /22

Switch

PIR Sensor Switch



SHE-B-250 /25



SHE-B-60 /26



HZK206 /27



SHE-B-96 /28

IR Sensor Switch



HZK218B /29



HZK218C /30



HZK221 /31



HZK231 /31



SHE-Z-60 /33

Touch Switch



HZK201 /34

Others

DALI System



DALI System /37

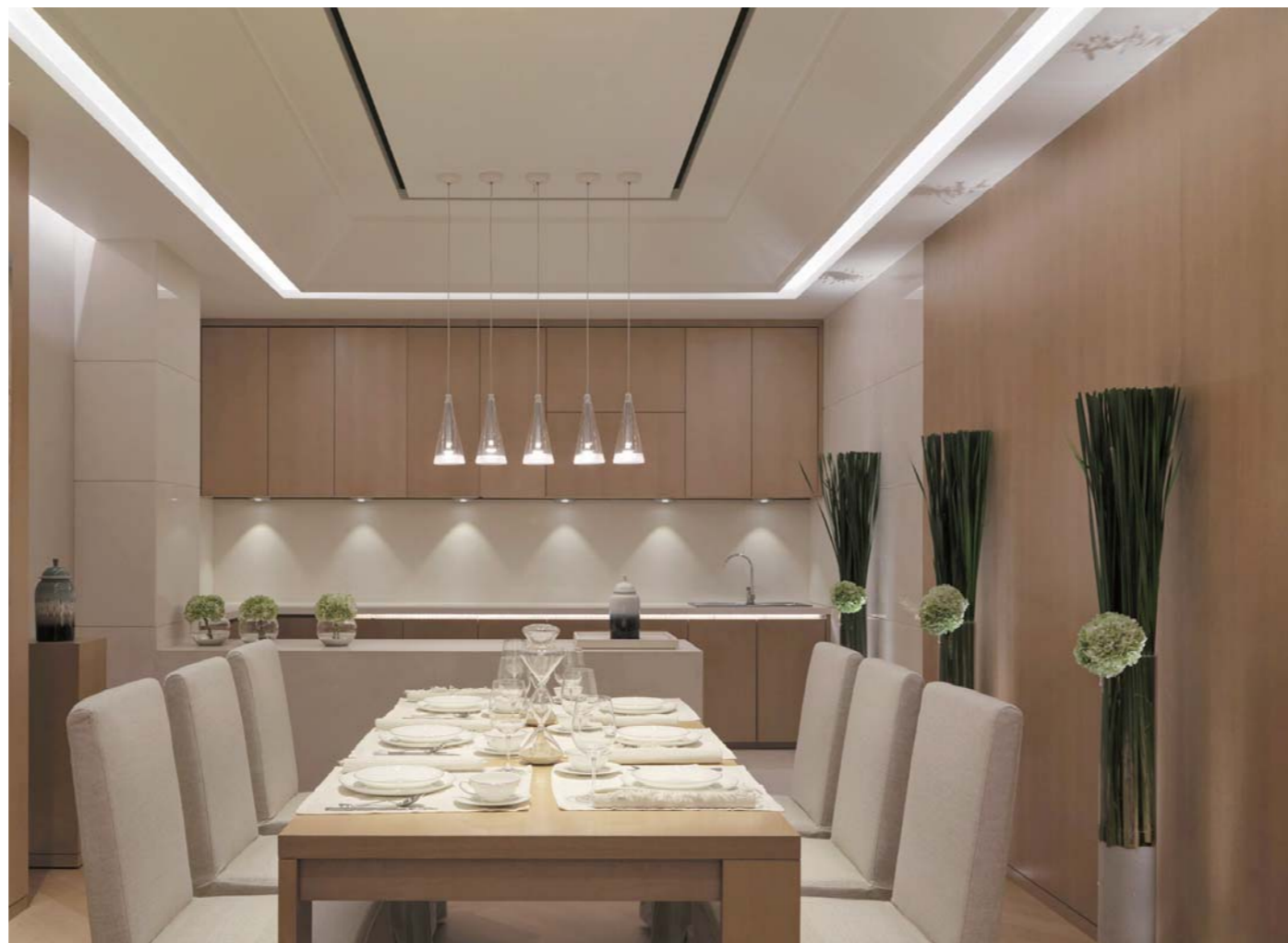
Soft Start



SLC7-150IL-45 /41

Connector

/43-49



Dimmer

Light motivates affinity between people and the surrounding environment. Our dimmers have fully demonstrated the perfect harmony between lighting technology and modern personalized life: intelligent small size, unique design, diversified applications, thus meeting the continuous pursuits of indoor atmosphere control based on personal preferences.

Standard Dimmer



IR Sensor Dimmer



Wireless Dimmer



In-line Dimmer



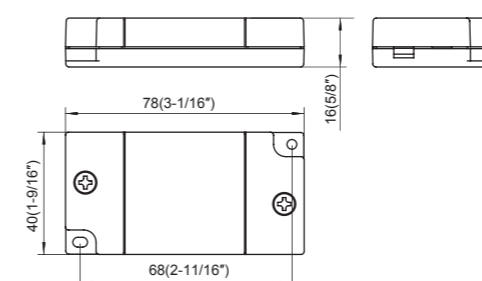
1-10V Dimmer



Standard Dimmer



Dimensions: (mm/inches)



KZQ-5B

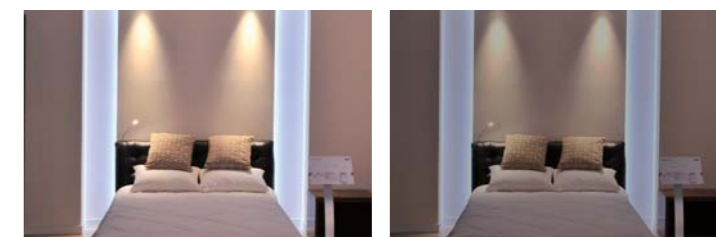
■ Features

- Class III independent dimming controller for 12V or 24V single color LED lamp
- One channel PWM output dimming by a potentiometer(150kΩ) or 1-10V signal
- Terminal block for quick connection
- Open circuit,short circuit,over load protection
- Rated output current 3.33A
- Light output dimmable: 0~100%

■ Application

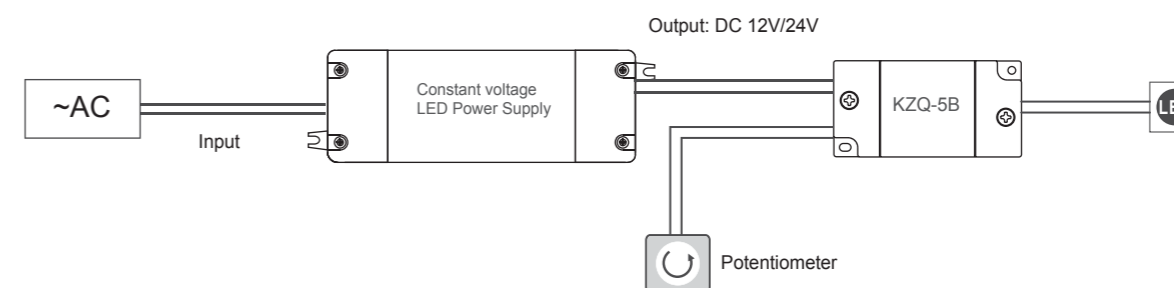
To Dim

Rotating the potentiometer will set light to desired brightness level.



■ Characteristics

Model No.	Rated supply	Rated load	ta	L x W x H	Approval
KZQ-5B	DC 12V	Max.40W	-20~35°C	78x40x16mm (3-1/16"x1-9/16"x5/8")	CE
	DC 24V	Max.80W			



IR Sensor Dimmer



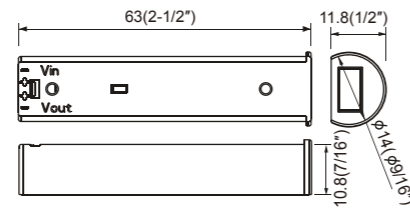
HZK221-1 HZK230

■ Features

- IR sensor for LED lighting



Dimensions: (mm/inches)

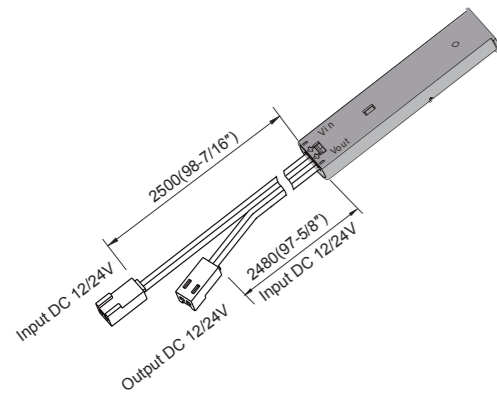


■ Sensor (Options)

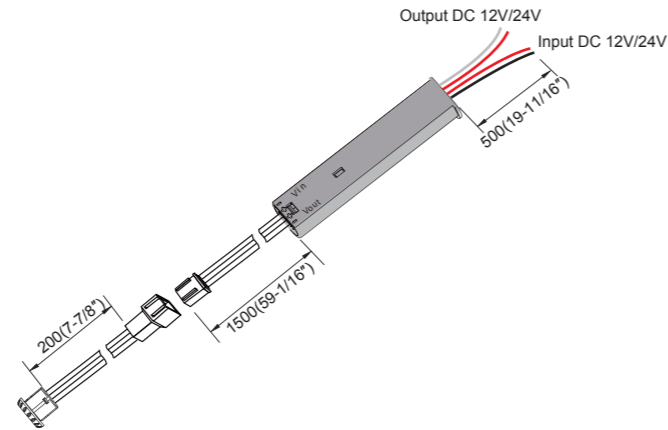
Sensor	Hole opening diameter(D)
	ø13mm(ø1/2")
	ø11mm(ø7/16")



■ HZK221-1



■ HZK230



■ Characteristics

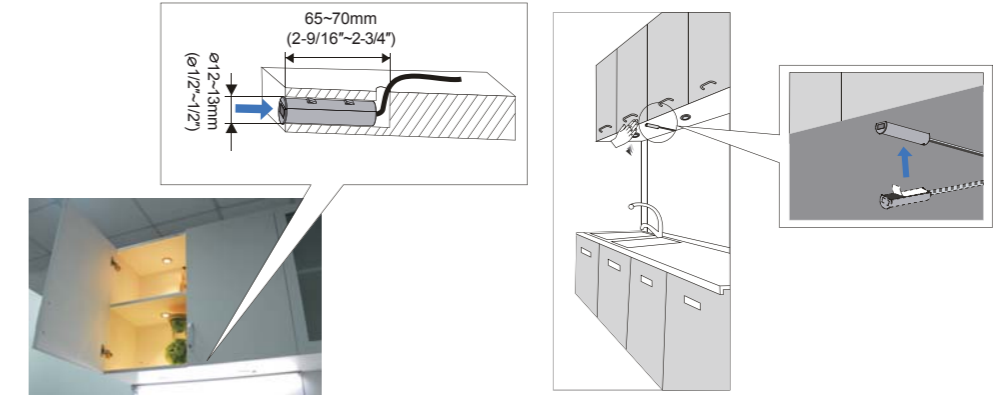
Model No.	Rated supply	Rated load	ta	Detect range	L x W x H
HZK221-1	DC 12V	Max.15W	-20~35°C	Less than 5cm(2") is recommended	63x10.8x11.8mm (2-1/2"x7/16"x1/2")
	DC 24V	Max.30W			
HZK230	DC 12V	Max.15W	-20~35°C	Less than 5cm(2") is recommended	63x10.8x11.8mm (2-1/2"x7/16"x1/2")
	DC 24V	Max.30W			

IR Sensor Dimmer

■ Application

1.On/Off

1. First connect to power supply.
2. To turn on: quickly wave hand over the sensor.
3. To turn off: quickly wave hand over the sensor again.

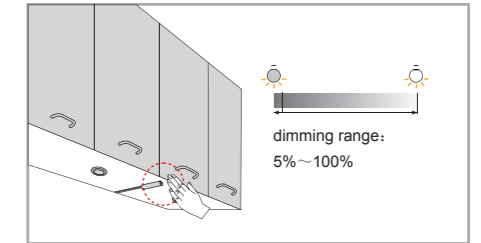


2.To dim

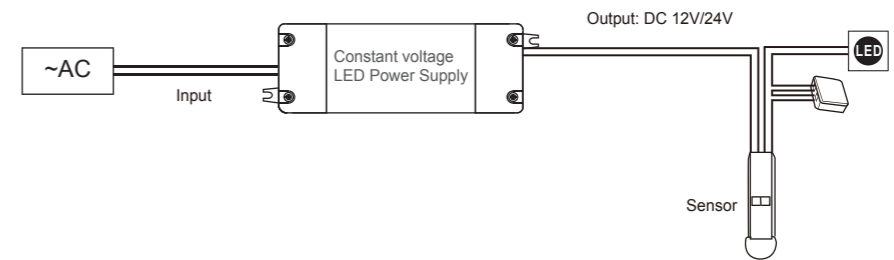
Once the lamp is on, keep a hand in front of sensor for more than 2 seconds. The brightness level will cycle from 5% to 100% as long as your hand is in place.

Once the hand is moved away from the sensor, the lamp will remain at the last level set.

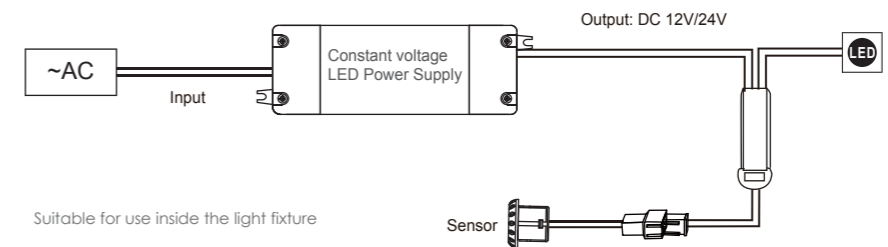
Placing your hand in front of the sensor again will cause the lamp to continue cycling.



■ HZK221-1



■ HZK230



Suitable for use inside the light fixture

Wireless Dimmer Controller



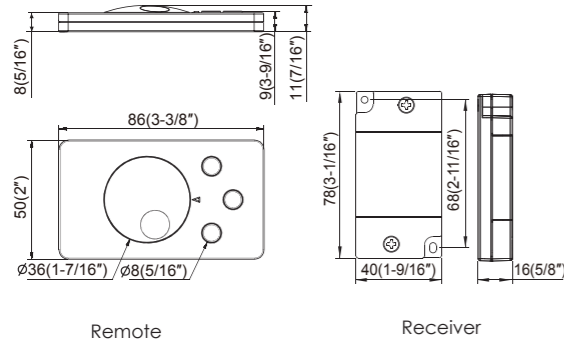
KZQ-8YKB KZQ-8XJB

■ Features

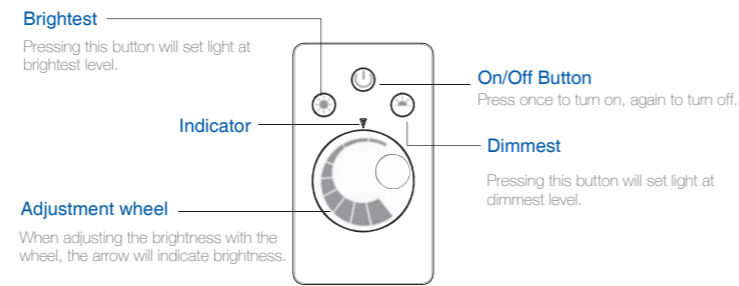
- Working frequency:2.4GHz
- Power: CR2032 (3V) button lithium battery
- Remote range:≤15m(590-9/16")
- Memory function:Light will return to last setting before shut off.
- All LED lamps can be controlled by the same remote.



Dimensions: (mm/inches)

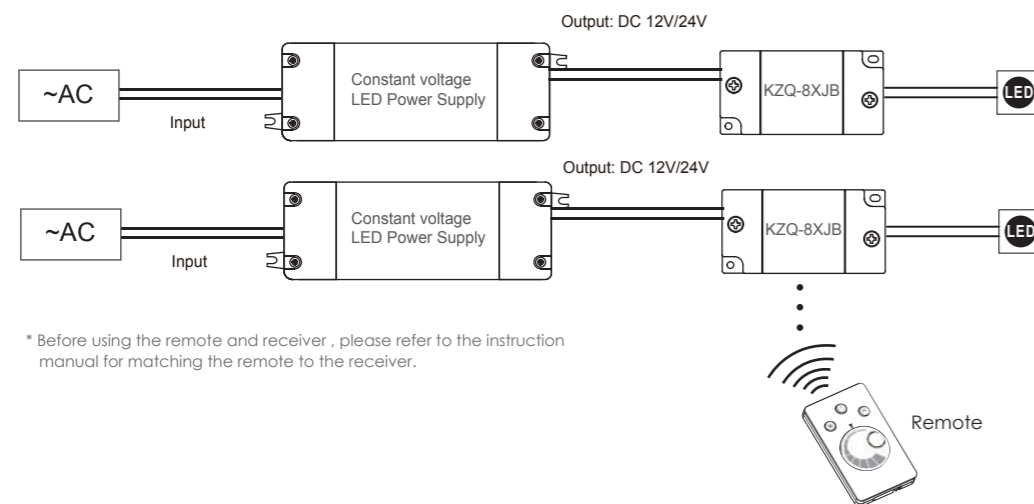


■ Application



■ Characteristics

	Model No.	Rated supply	Rated load	Power	ta	L x W x H	Approval
Remote	KZQ-8YKB			CR2032 (3V) button lithium battery	-20~35°C	86x50x11mm (3-3/8"x2"x7/16")	CE
Receiver	KZQ-8XJB	DC 12V	Max.36W		-20~35°C	78x40x16mm (3-1/16"x1-9/16"x5/8")	CE
		DC 24V	Max.72W				



Wireless Dimmer Controller



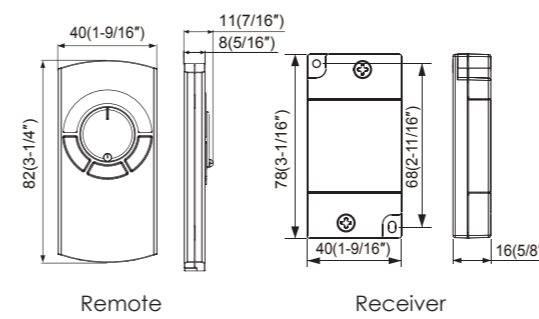
KZQ-9YKB KZQ-8XJB

■ Features

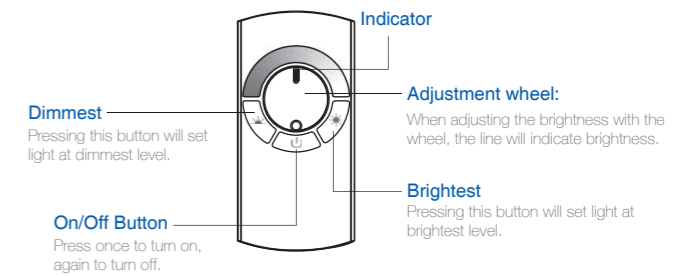
- Working frequency:2.4GHz
- Power: CR2032 (3V) button lithium battery
- Remote range:≤15m(590-9/16")
- Memory function:Light will return to last setting before shut off.
- All LED lamps can be controlled by the same remote.



Dimensions: (mm/inches)

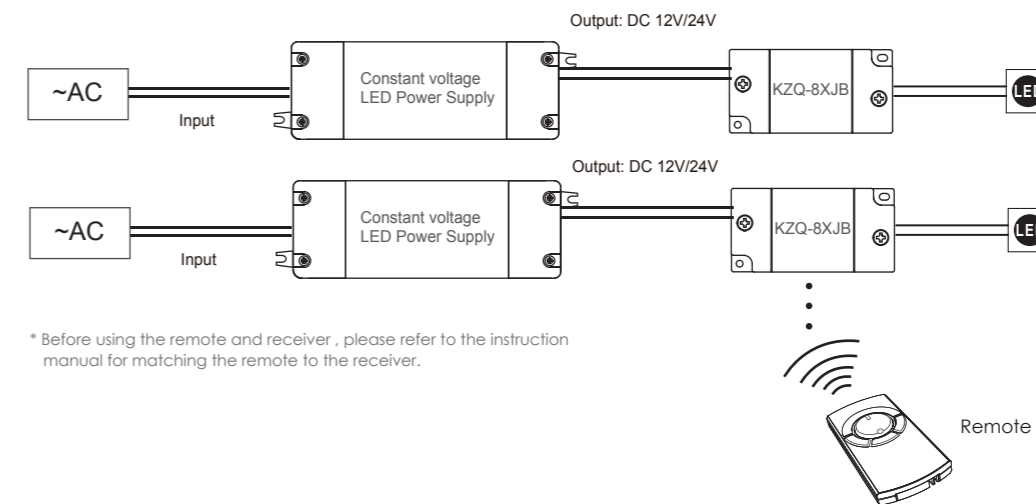


■ Application



■ Characteristics

	Model No.	Rated supply	Rated load	Power	ta	L x W x H	Approval
Remote	KZQ-9YKB			CR2032 (3V) button lithium battery	-20~35°C	82x40x11mm (3-1/4"x1-9/16"x7/16")	CE
Receiver	KZQ-8XJB	DC 12V	Max.36W		-20~35°C	78x40x16mm (3-1/16"x1-9/16"x5/8")	CE
		DC 24V	Max.72W				



In-line Dimmer

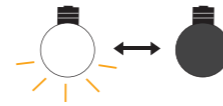
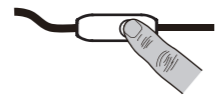


KZQ15-24L

Application

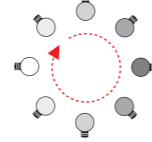
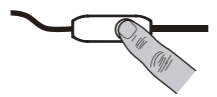
1. Power ON/OFF

Press the button to turn on and off

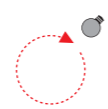
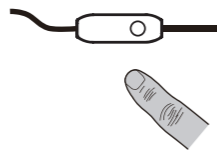


2. Dimming

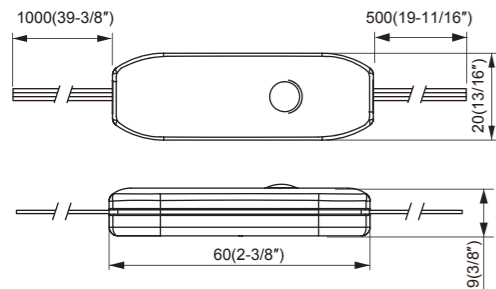
Hold down the button to select desired brightness level. It will cycle from 100% to 0%, and vice versa until the button is released



Release the button to select desired brightness level

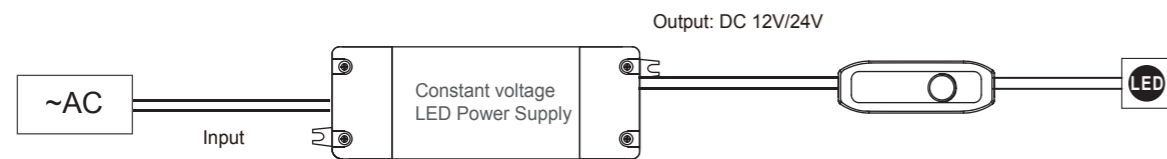


Dimensions: (mm/inches)



Characteristics

Model No.	Rated supply	Rated load	ta	L x W x H
KZQ15-24L	DC 12V	Max.7.5W	-20~35°C	60x20x9mm (2-3/8"x13/16"x3/8")
	DC 24V	Max.15W		



In-line Dimmer

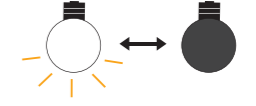


KZQ30-24E

Application

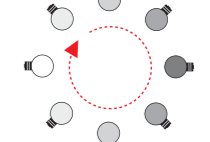
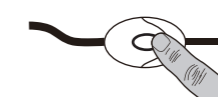
1. Power ON/OFF

Press the button to turn on and off

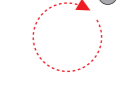
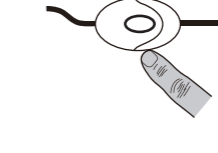


2. Dimming

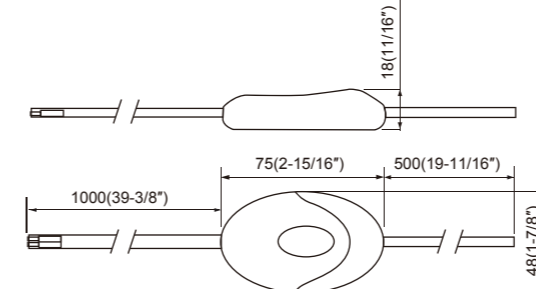
Hold down the button to select desired brightness level. It will cycle from 100% to 10%, and vice versa until the button is released



Release the button to select desired brightness level

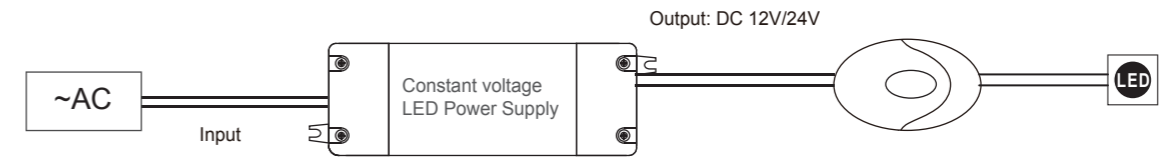


Dimensions: (mm/inches)

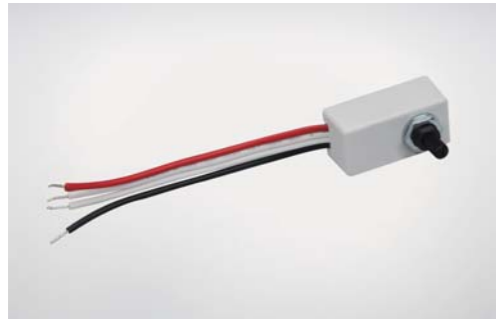


Characteristics

Model No.	Rated supply	Rated load	ta	Wiring
KZQ30-24E	DC 12V	Max.15W	-20~35°C	Flying leads
	DC 24V	Max. 30W		Flying leads



1-10V Dimmer

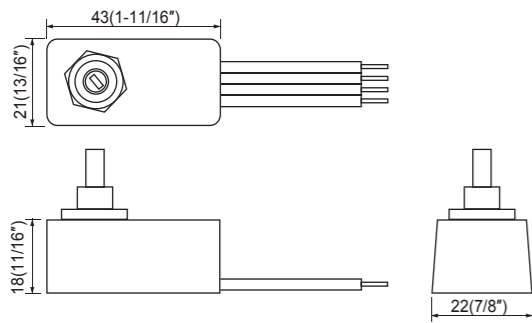


SD702

■ Features

- 1-10V dimmer controller
- Suitable for controlling 1-10V dimmable LED power supply
- With ON/OFF switch

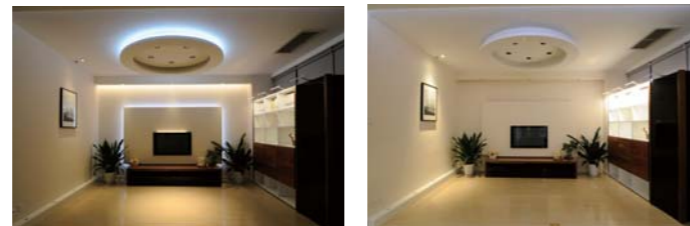
Dimensions: (mm/inches)



■ Application

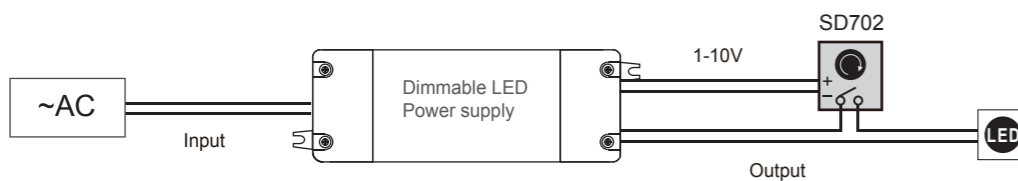
To Dim

Rotating the potentiometer will set light to desired brightness level.



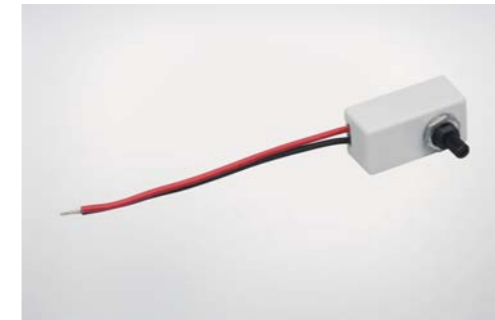
■ Characteristics

Model No.	Control Voltage	Control Current	Rated current	ta
SD702	1-10V	Max.20mA	Max.2A	-20~35°C



*Total power of connected LED should not exceed the power supply Max. load.

1-10V Dimmer

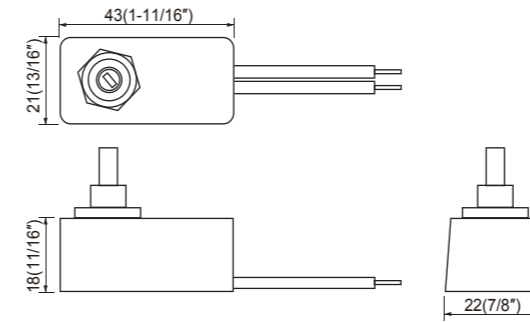


SD702-1

■ Features

- 1-10V dimmer controller
- Suitable for controlling 1-10V dimmable LED power supply

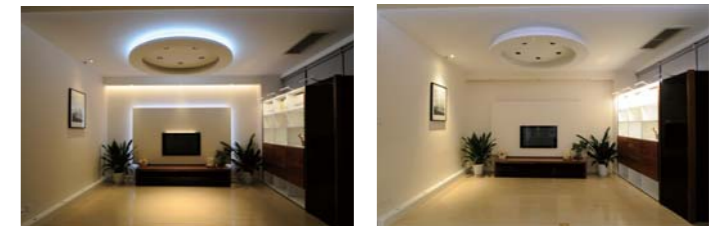
Dimensions: (mm/inches)



■ Application

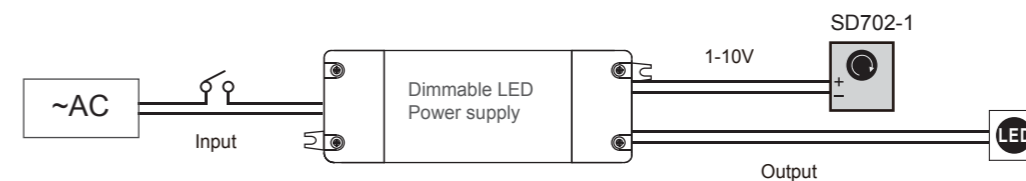
To Dim

Rotating the potentiometer will set light to desired brightness level.



■ Characteristics

Model No.	Control Voltage	Control Current	ta
SD702-1	1-10V	Max.20mA	-20~35°C



*Total power of connected LED should not exceed the power supply Max. load.



Color Temperature Controller

Flexible light wakes up the vitality of indoor's spaces, the change between cool color temperature and warm color temperature has made the indoor environment more mysterious.



Wireless Color Temperature Controller



In-line Color Temperature Controller



Color temperature control is a great choice for customers to experience the visual effect incisively.

Wireless Color Temperature Controller

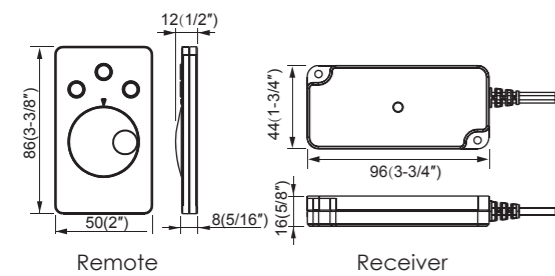


KZQ-8YKC KZQ-8XJC

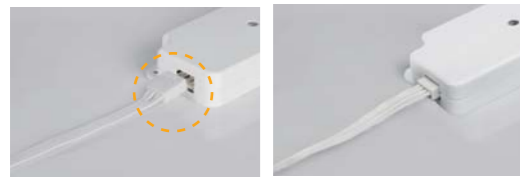
■ Features

- Working frequency: 2.4GHz
- Power: CR2032 (3V) button lithium battery
- Remote range: ≤15m (590-9/16")
- All the color temperature adjustable LED lamps can be controlled by the same remote.

Dimensions: (mm/inches)



Plug into the socket



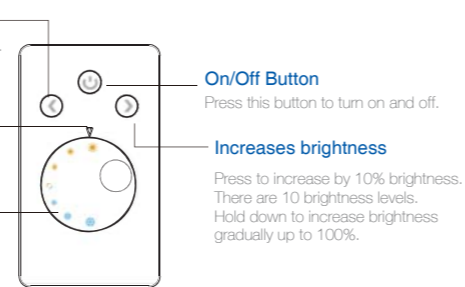
■ Application

Decreases brightness

Press to decrease by 10% brightness. There are 10 brightness levels. Hold down to decrease brightness gradually down to 10%.

Color Temperature Wheel

Rotate to select the desired color temperature with the indicator line.

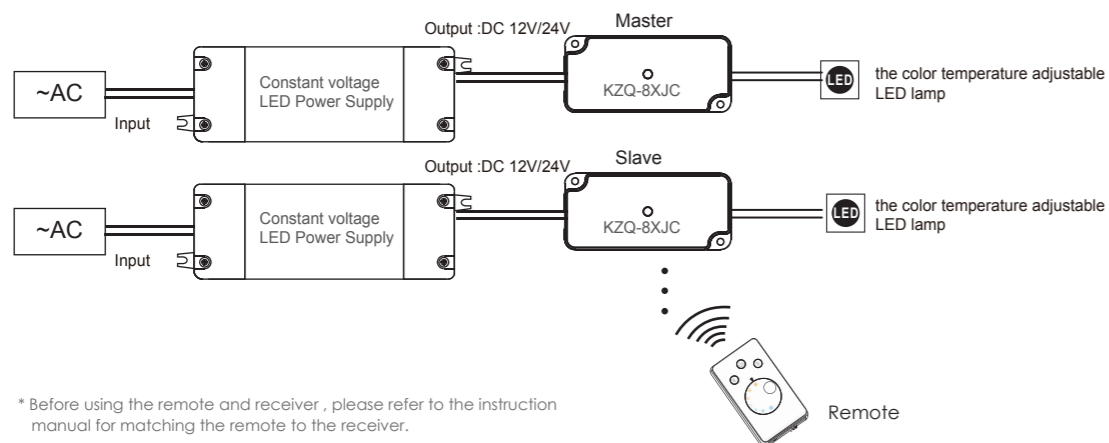


Other functions:

1. Memory function will take effect after 60s given that all the operations are done.
2. Sleeping function: The remote will go dormant after 60 seconds of inactivity. Press any button to reactivate the remote.

■ Characteristics

	Model No.	Rated supply	Rated load	Power	ta	L x W x H	Approval
Remote	KZQ-8YKC			CR2032 (3V) button lithium battery	-20~35°C	86x50x11mm (3-3/8"x2"x7/16")	CE
Receiver	KZQ-8XJC	DC 12V	Max.30W		-20~35°C	96x44x16mm (3-3/4"x1-3/4"x5/8")	CE
		DC 24V	Max.60W				



* Before using the remote and receiver, please refer to the instruction manual for matching the remote to the receiver.

In-line Color Temperature Controller

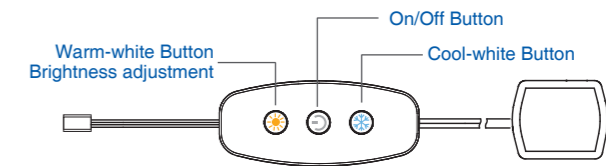


KZQ-1M-3

■ Features

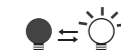
- Memory function: Light will return to last setting before shut off.
- Application: To control the color temperature adjustable LED lamps

■ Application



On/Off Button

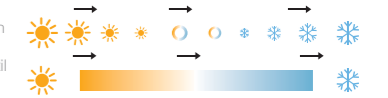
Press once to turn on, again to turn off.



Cool-white Button

1. Pressing the button for less than 0.5s will change light color temperature to cooler white. There are 10 color temperature levels.

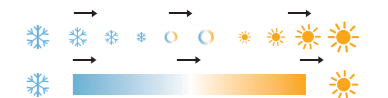
2. Press and hold down the button for more than 0.5s to select desired color temperature. It will change to cooler white without cycling until the button is released.



Warm-white Button

1. Pressing the button for less than 0.5s will change light color temperature to warmer white. There are 10 color temperature levels.

2. Press and hold down the button for more than 0.5s to select desired color temperature. The light will change gradually to warmer white without cycling until the button is released.

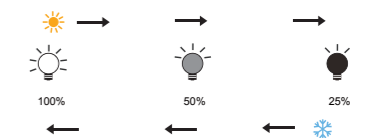


Brightness adjustment

1. Press the On/Off Button for more than 2 seconds and keep holding down.

Meanwhile pressing the Warm-white Button for less than 0.5s, the brightness of light will be adjusted to lower state. There are 3 brightness levels (100%, 50%, 25%).

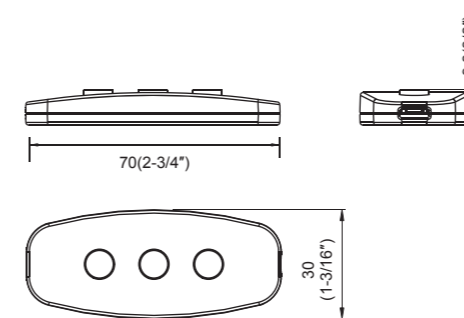
Meanwhile pressing the Cool-white Button for less than 0.5s, the brightness of light will be adjusted to higher state. There are 3 brightness levels (100%, 50%, 25%).



2. Release the On/Off Button to finish the brightness adjustment function.

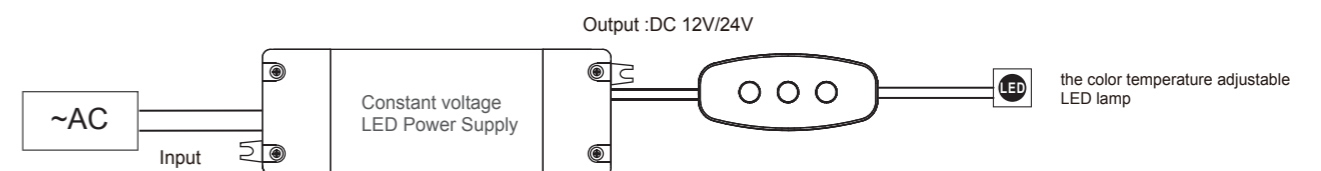


Dimensions: (mm/inches)



■ Characteristics

Model No.	Rated supply	Rated load	ta
KZQ-1M-3	DC 12V	Max.15W	-20~35°C
	DC 24V	Max.30W	





RGB Controller

RGB controller, surpassing the limitations of the original lighting function, enjoys the features of more artistic value. It controls the lights to release seven colors: red, orange, yellow, green, green, blue, purple, thus cheering up the atmosphere and fills with energy. Automatic jump function is consistent with the modern pursuit of fast, romantic, fashion.



Wireless
RGB Controller



In-line RGB
Controller



Wireless RGB Controller



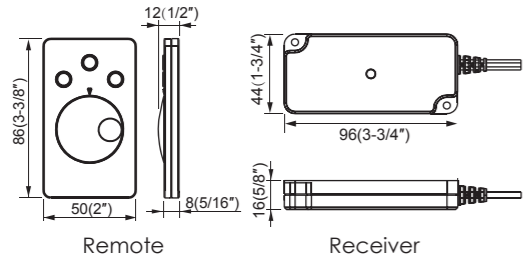
KZQ-14YKA KZQ-14XJA/KZQ-14XJA-2

■ Features

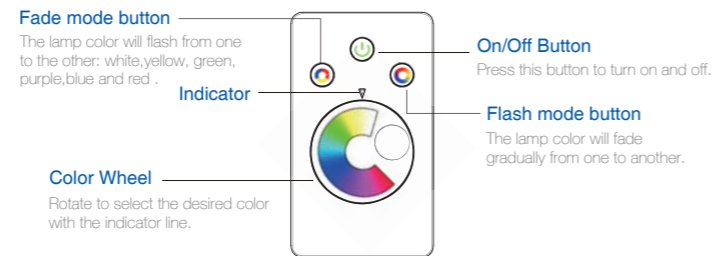
- Working frequency: 2.4GHz
- Power: CR2032 (3V) button lithium battery
- Remote range: ≤15m (590-9/16")
- Memory function: Light will return to last setting before shut off.
- All RGB LED lamps can be controlled by the same remote.



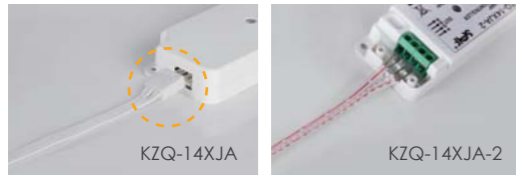
Dimensions: (mm/inches)



■ Application



Plug into the socket Screw connection terminal

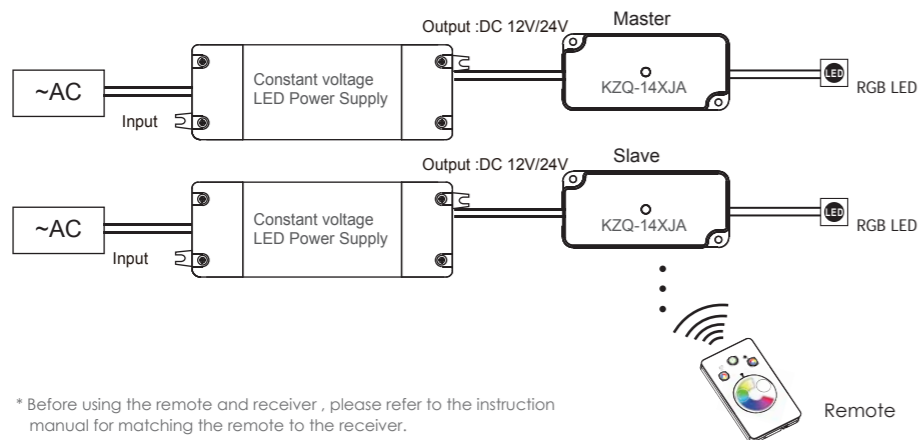


Other functions:

1. Brightness level: Press and hold down the Fade mode button and rotate the Color wheel at the same time. There are three brightness levels, rotating anticlockwise to get brighter, clockwise to get dimmer. Release the button at the desired brightness level.
2. Color change speed: To change the speed at which the colors change (fade gradually and flashing), hold down the Flash mode button and rotate the Color wheel at the same time. There are three speed levels, rotating anticlockwise to get faster, clockwise to get slower. Release the button at the desired speed level.

■ Characteristics

	Model No.	Rated supply	Rated load	Power	ta	L x W x H	Approval
Remote	KZQ-14YKA			CR2032 (3V) button lithium battery	-20~35°C	86x50x11mm (3-3/8"x2"x7/16")	CE
Receiver	KZQ-14XJA	DC 12V	Max.30W		-20~35°C	96x44x16mm (3-3/4"x1-3/4"x5/8")	CE
		DC 24V	Max.60W				
Receiver	KZQ-14XJA-2	DC 12V	Max.30W		-20~35°C	101x44x16.5mm (4"x1-3/4"x5/8")	CE
		DC 24V	Max.60W				



* Before using the remote and receiver, please refer to the instruction manual for matching the remote to the receiver.

Wireless RGB Controller



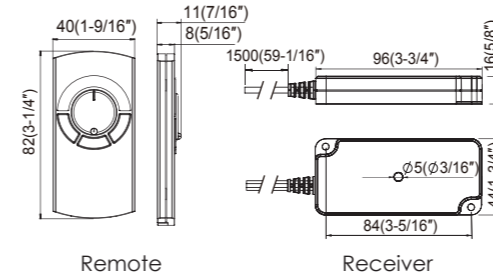
KZQ-16YKA KZQ-14XJA/KZQ-14XJA-2

■ Features

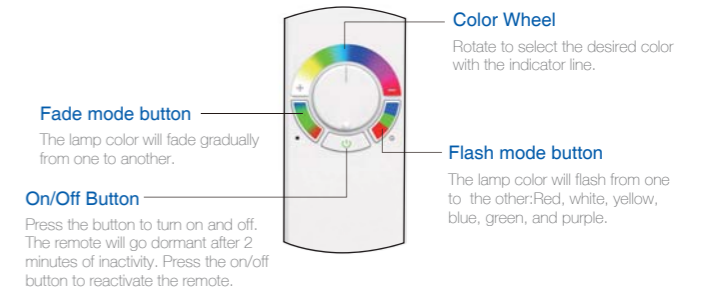
- Working frequency: 2.4GHz
- Power: CR2032 (3V) button lithium battery
- Remote range: ≤15m (590-9/16")
- Memory function: Light will return to last setting before shut off.
- All RGB LED lamps can be controlled by the same remote.



Dimensions: (mm/inches)



■ Application



Plug into the socket Screw connection terminal

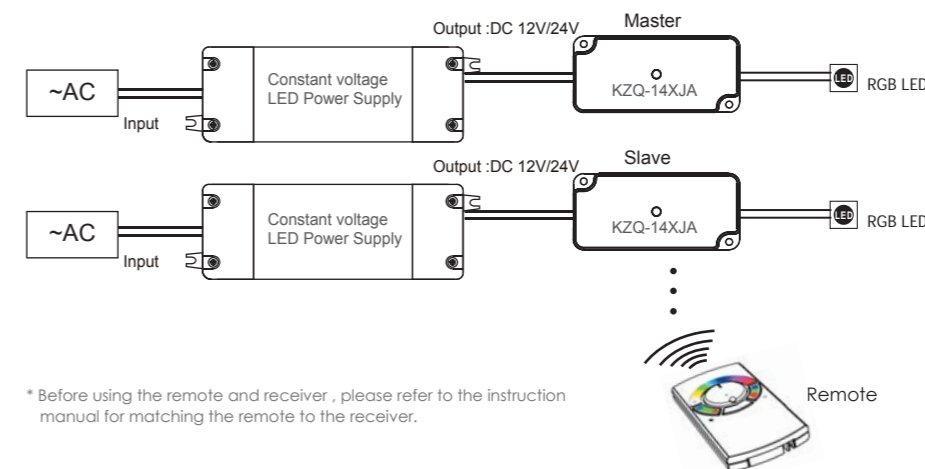


Other functions:

1. Brightness Level: press and hold down the Fade mode button while rotating the Color Wheel. The three brightness levels go from "+" for brightest to "-" for dimmest.
2. Color Change Speed: To change the speed at which the colors change (gradually and flashing), press and hold down the Flash mode button while rotating the Color Wheel. The three speed settings go from fastest at "+" to slowest at "-".

■ Characteristics

	Model No.	Rated supply	Rated load	Power	ta	L x W x H	Approval
Remote	KZQ-16YKA			CR2032 (3V) button lithium battery	-20~35°C	82x40x11mm (3-1/4"x1-9/16"x7/16")	CE
Receiver	KZQ-14XJA	DC 12V	Max.30W		-20~35°C	96x44x16mm (3-3/4"x1-3/4"x5/8")	CE
		DC 24V	Max.60W				
Receiver	KZQ-14XJA-2	DC 12V	Max.30W		-20~35°C	101x44x16.5mm (4"x1-3/4"x5/8")	CE
		DC 24V	Max.60W				



* Before using the remote and receiver, please refer to the instruction manual for matching the remote to the receiver.

In-line RGB Controller



KZQ30-12E

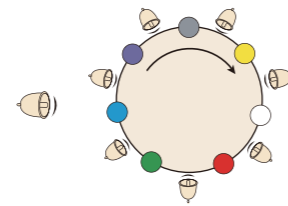
- Features
 - Class III independent RGB controller
 - Memory function: restore the color status before power off
 - Beep sound indication for function select

■ Push down button until hearing

- One beep and release to select one of 7 colors: red, green, blue, purple, yellow, and white
- Two beeps and release: flash change 7 colors automatically
- Three beeps and release: change colours gradually
- Four beeps and release: turn off.

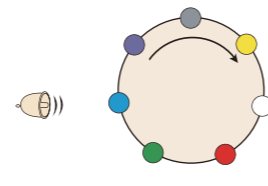
Function 1

One beep: select color



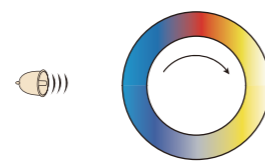
Function 2

Two beeps: color flash changes one by one automatically



Function 3

Three beeps: color changes gradually

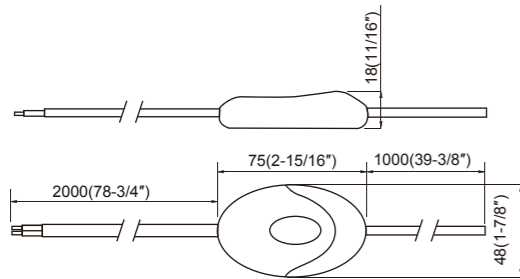


Function 4

Four beeps: power off

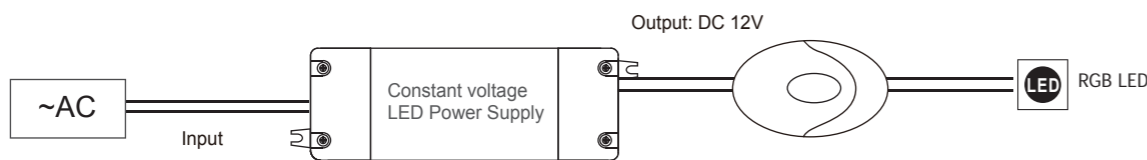


Dimensions: (mm/inches)



■ Characteristics

Model No.	Rated supply	Load range	Wiring
KZQ30-12E	DC12V	Max.30W	Flying Leads



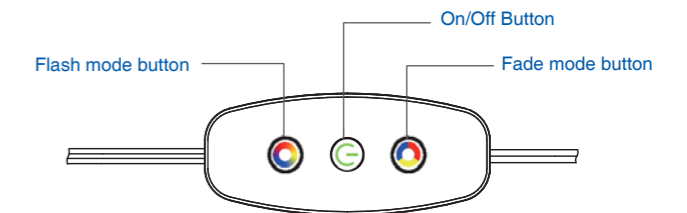
In-line RGB Controller



KZQ-1M-2

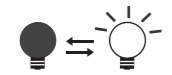
- Features
 - Class III independent RGB controller
 - Memory function:light will return to last setting before shut off.

■ Function



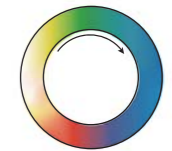
On/Off Button

Press the button to turn on and off.



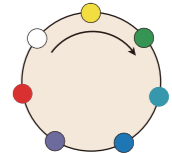
Fade mode button

Pressing the button,the light color remains unchanged when RGB LED lamp is changing gradually or flashly.
Pressing the button,the light color changes gradually when RGB LED lamp remains off or fixed color.

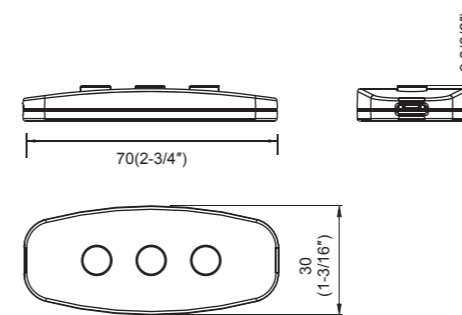


Flash mode button

Pressing the button,the light color remains unchanged when RGB LED lamp is changing gradually or flashly.
Pressing the button,the light color changes flashly when RGB LED lamp remains off or fixed color.

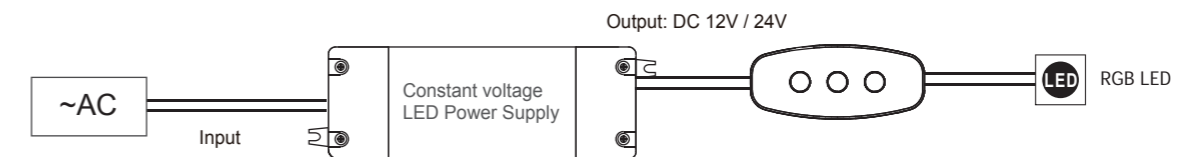


Dimensions: (mm/inches)



■ Characteristics

Model No.	Rated supply	Rated Load	ta
KZQ-1M-2	DC12V	15W	-20~35°C
	DC 24V	30W	





Switch

On the perspective of practical humanized design concept, series of PIR and IR switches have the features of small size, safe and reliable, strong sensitivity. Selectable power supply with high voltage and low voltage has expanding the application fields. With a great integration of new technology and smart shape design, we have tried our best to give more vitality into the customer's life.

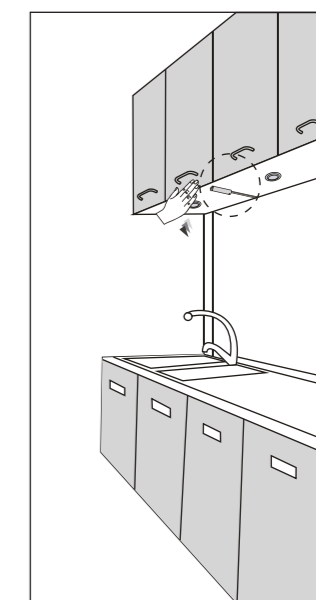
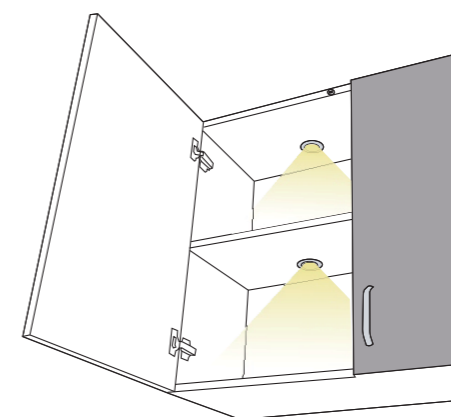
PIR Sensor Switch



IR Sensor Switch



Touch Switch



PIR Sensor Switch (Line Voltage)



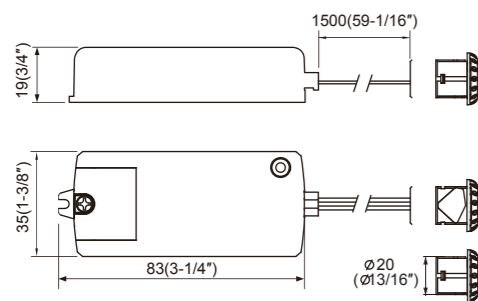
SHE-B-250

■ Features

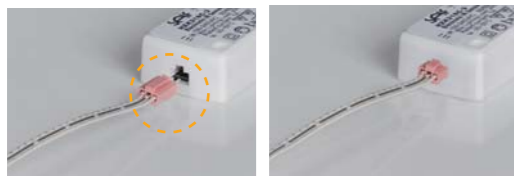
- Human-body detection sensor
- Detection range: Max. 2.5m(98-7/16")
- Detection angle: 80°
- Detection time: 10sec~3min
- KEMA approved



Dimensions: (mm/inches)

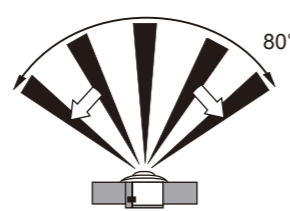


Plug into the socket

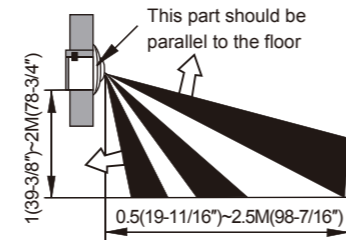


■ Installation

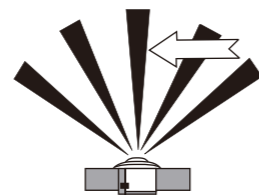
TOP VIEW



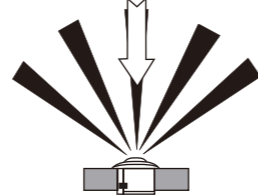
SIDE VIEW



GOOD SENSITIVITY

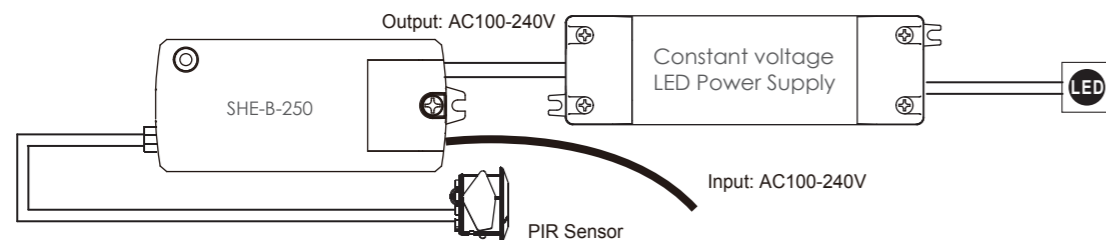


POOR SENSITIVITY



■ Characteristics

Model No.	Rated input voltage	Rated output voltage	Rated current	LED Driver Rated load	L x W x H
SHE-B-250	AC100-240V	AC100-240V	Max.1A	100VA(AC 100V) 240VA(AC 240V)	83x35x19mm (3-1/4"x1-3/8"x3/4")



PIR Sensor Switch (Low Voltage)



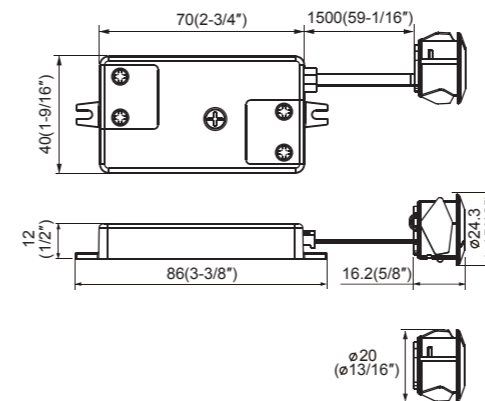
SHE-B-60

■ Features

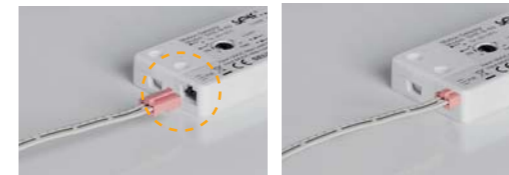
- Human-body detection sensor
- Detection range: Max. 2.5m(98-7/16")
- Detection angle: 80°
- Detection time: 10sec~3min
- Selectable output connection: terminal block and mini plug



Dimensions: (mm/inches)

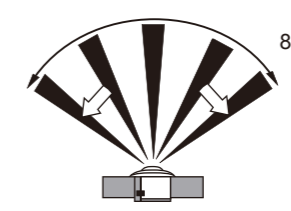


Plug into the socket

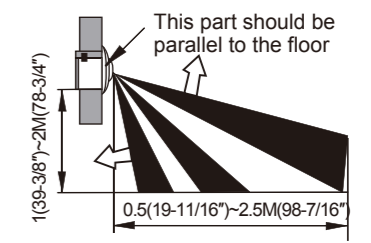


■ Installation

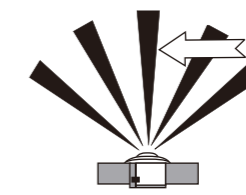
TOP VIEW



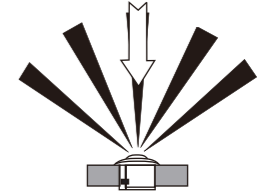
SIDE VIEW



GOOD SENSITIVITY

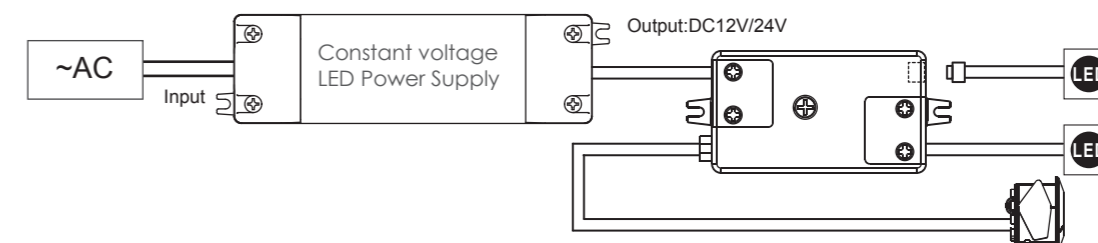


POOR SENSITIVITY



■ Characteristics

Model No.	Rated Supply	Rated output	Rated load
SHE-B-60	DC 12V	DC 12V	Max.30W
	DC 24V	DC 24V	Max.60W



PIR Sensor Switch (Line Voltage)



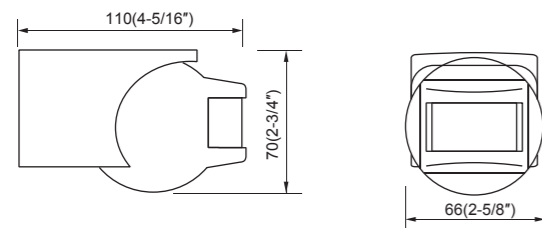
HZK206

■ Features

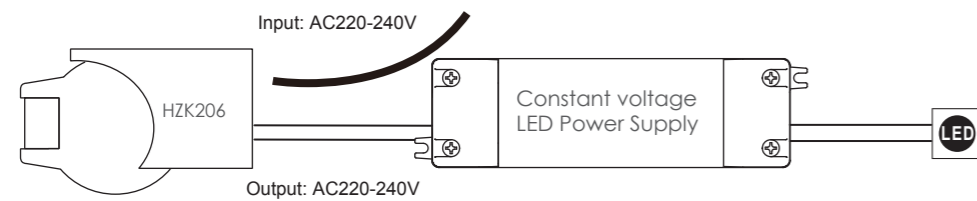
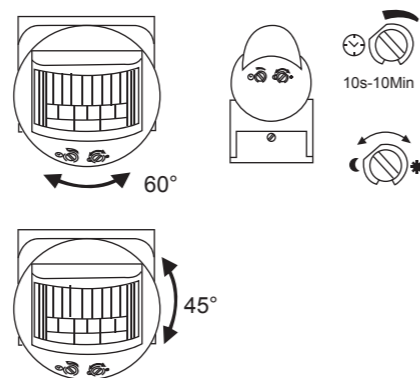
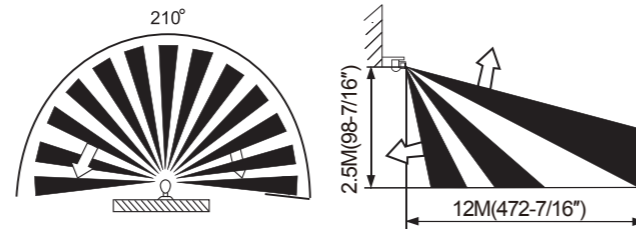
- Load: 1000W(Resistive) ; Rated current: Max.4A
200W(Inductive) ; Rated current: Max.1A
- LED Driver Rated load: 240VA(AC 240V)
- Rated voltage: AC220-240V
- Detection range: Max.12m(472-7/16")
- Detection angle: 210 degree
- Time delay: 10s-10min. adjustable,
- Light sensitivity: 30lux adjustable,
- Protection class: IP44
- Housing color: black or white
- Stand by power≤0.5W

CE S IP44

Dimensions: (mm/inches)



■ Application



PIR Sensor Switch (Low Voltage)



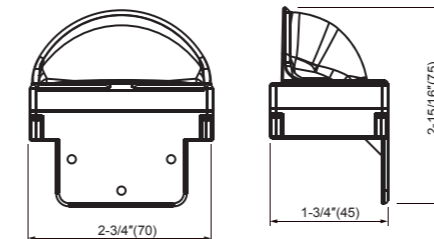
SHE-B-96

■ Features

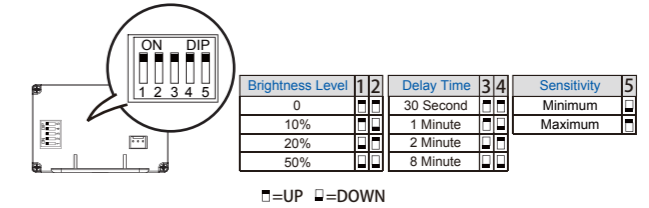
- Human-body detection sensor
- Occupancy sensor switch suitable for use with retail lighting
- Brightness adjustable
- Time delay selectable
- 180 degree horizontal coverage pattern
- Coverage pattern adjustable up to 450cm(15')
- DIP switch simplifies sensor adjustments
- Output:1-10V Signal

CE SELV

Dimensions: (mm/inches)



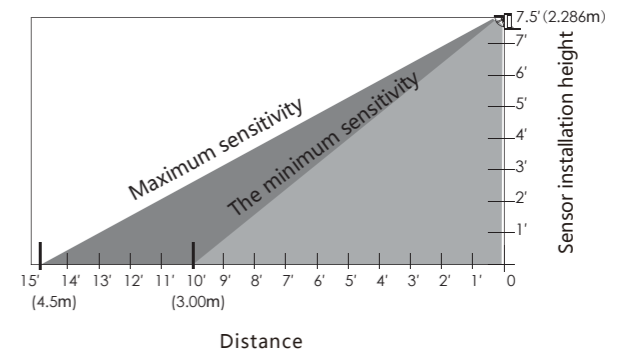
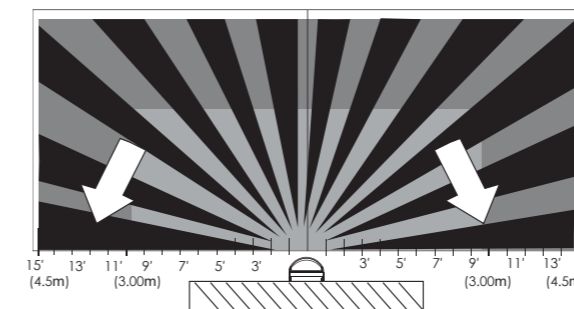
■ Function description:



1. Upon initial plug in, the fixture will turn on at 100% brightness for 90 seconds. The sensor starts working after 90seconds.
2. The light will be at 100% brightness level when the sensor catches the signal. The light will come to the settled brightness level if the sensor doesn't get the signal within the 1st delay time.
3. The light will totally turn off if the sensor doesn't catch any signal within the 2nd delay time.

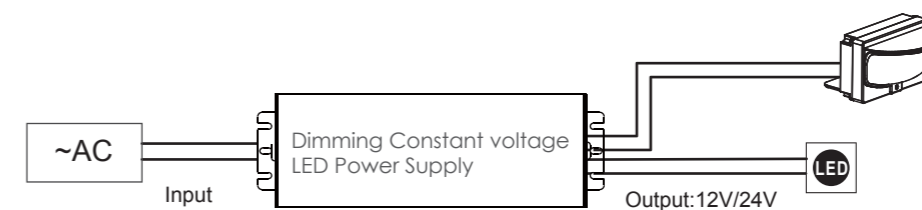
Note: The brightness level and delay time are settled according to the above form.

■ Installation



■ Characteristics

Model No.	Rated input	Max. Detection Range(m)	Max. Detection Angle	Delay Time(min)	Brightness Level
SHE-B-96	12/24VDC	≥4.5、≥3 (2 levels for choosing)	≥180°	0.5、1、2、8 (4 levels for choosing)	0、10%、20%、50% (4 levels for choosing)



*Total power of connected LED should not exceed the power supply Max. load.

IR Sensor Switch (Line Voltage)

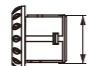



HZK218B

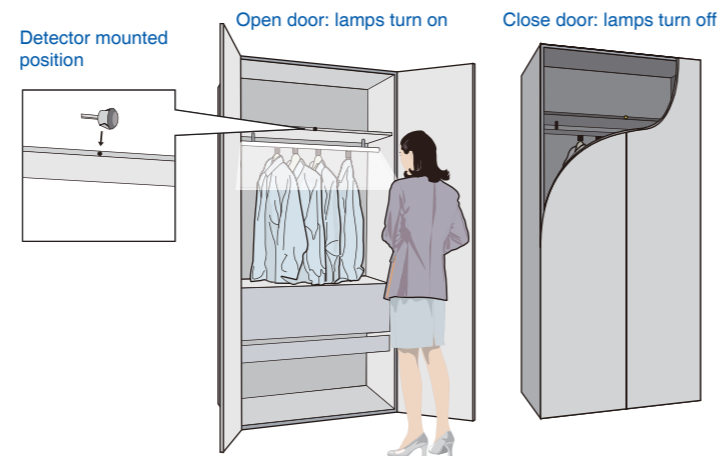
■ Features

- IR sensor
- Detection range: less than 5cm(2") is recommended
- KEMA approved

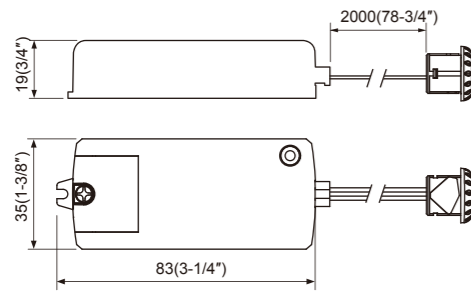
■ Sensor (Options)

Sensor	Hole opening diameter(D)
	Ø13mm (Ø1/2")
	Ø11mm (Ø7/16")

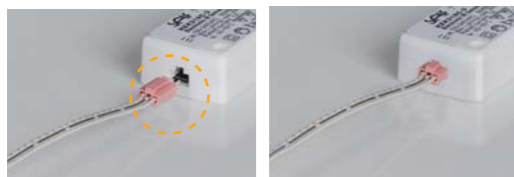
■ Application



Dimensions: (mm/inches)

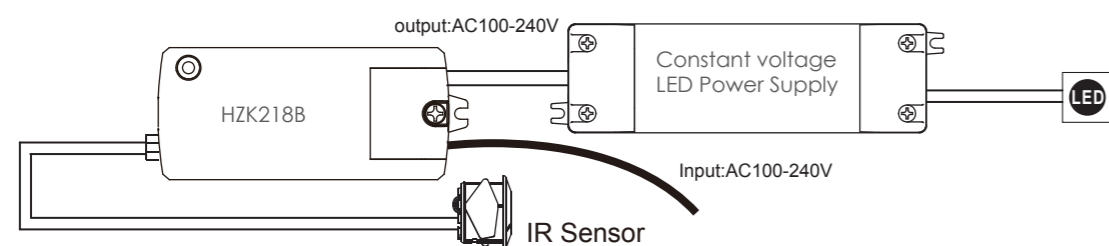


Plug into the socket



■ Characteristics

Model No.	Rated Input Voltage	Rated Output Voltage	Rated current	LED Driver Rated load	L x W x H
HZK218B	AC100-240V	AC100-240V	Max.1A	100VA(AC 100V) 240VA(AC 240V)	83x35x19mm (3-1/4"x1-3/8"x3/4")



IR Sensor Switch (Line Voltage)





HZK218C

■ Features

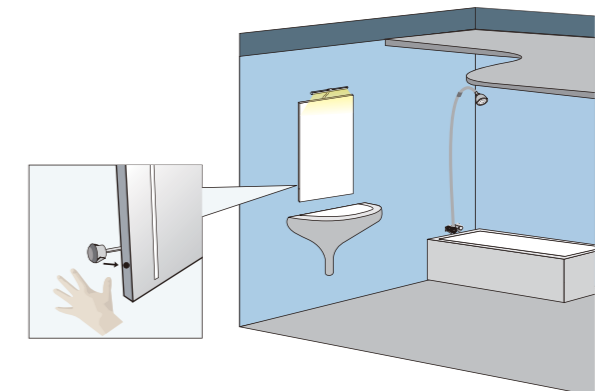
- IR sensor
- Detection range: less than 5cm(2") is recommended
- KEMA approved

■ Sensor (Options)

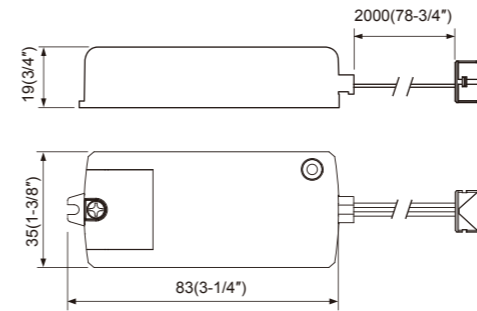
Sensor	Hole opening diameter(D)
	Ø13mm (Ø1/2")
	Ø11mm (Ø7/16")

■ Application

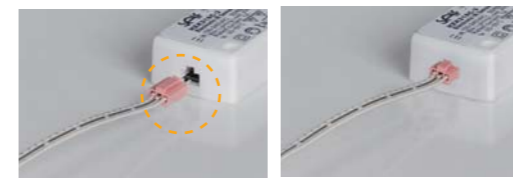
Move hand before the detector the first time: lamps turn on,
Move hand before the detector the second time: lamps turn off.



Dimensions: (mm/inches)

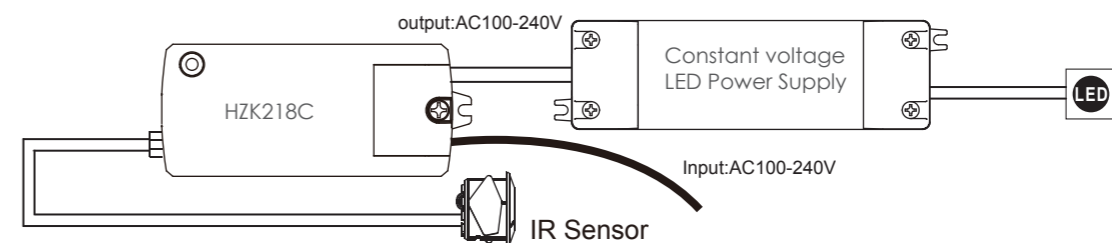


Plug into the socket



■ Characteristics

Model No.	Rated Input Voltage	Rated Output Voltage	Rated current	LED Driver Rated load	L x W x H
HZK218C	AC100-240V	AC100-240V	Max.1A	100VA(AC 100V) 240VA(AC 240V)	83x35x19mm (3-1/4"x1-3/8"x3/4")



IR Sensor Switch (Low Voltage)

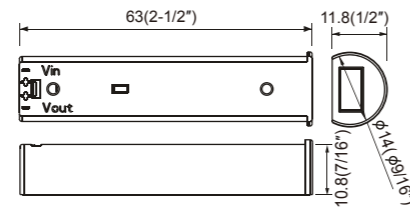


HZK221/HZK231

■ Features

- IR sensor for LED lighting
- With 2 selectable functions

Dimensions: (mm/inches)

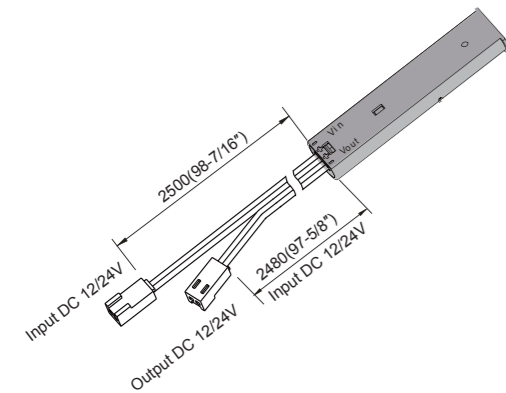


■ Sensor (Options)

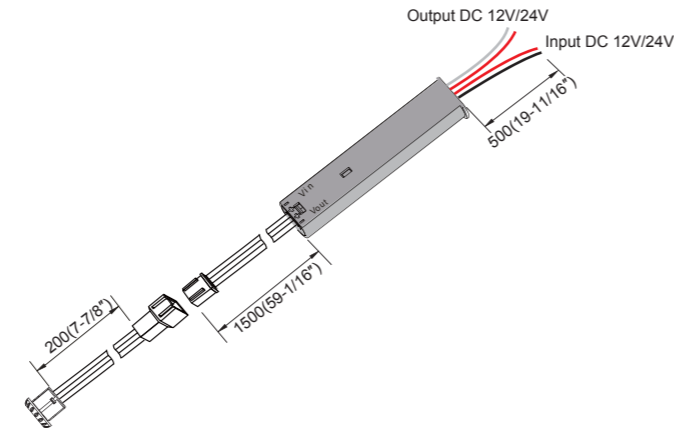
Sensor	Hole opening diameter(D)
	ø13mm(ø1/2")
	ø11mm(ø7/16")



■ HZK221



■ HZK231



■ Characteristics

Model No.	Rated supply	Rated load	ta	Detect range	Other function	L x W x H
HZK221	DC 12V	Max.15W	-20~35°C	Less than 5cm(2") is recommended	Function set *Memory function	63x10.8x11.8mm (2-1/2"x7/16"x1/2")
	DC 24V	Max.30W				
HZK231	DC 12V	Max.15W	-20~35°C	Less than 5cm(2") is recommended	Function set *Memory function	63x10.8x11.8mm (2-1/2"x7/16"x1/2")
	DC 24V	Max.30W				

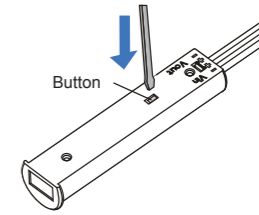
*Memory function: In case of power failure, the device will return to its previous state prior to power cut off.

IR Sensor Switch (Low Voltage)

■ Application

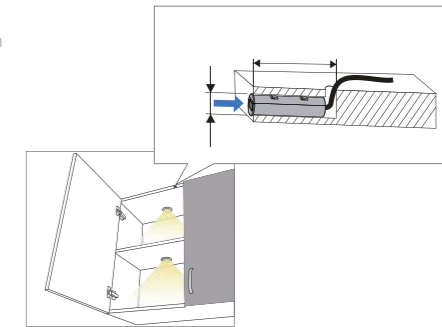
Function set

1. To set the function, first connect to power supply.
2. Pressing the button switches the function from one to the other and vice versa.



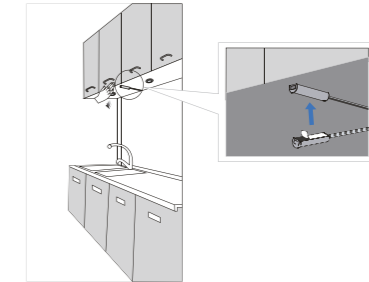
Function1 (Monostable function)

1. If mounted behind a door, please select the monostable function
2. Open the door, the lamps turn on
3. Close the door, the lamps turn off

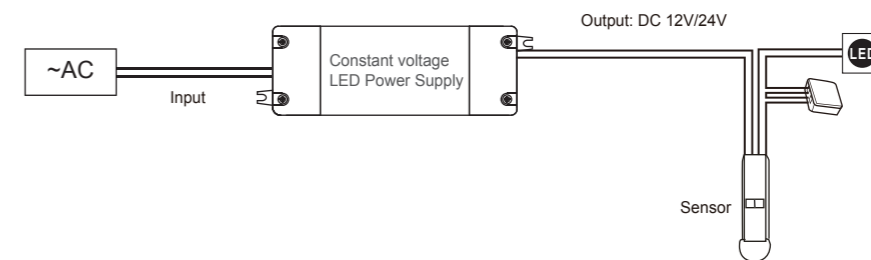


Function 2 (Bistable function)

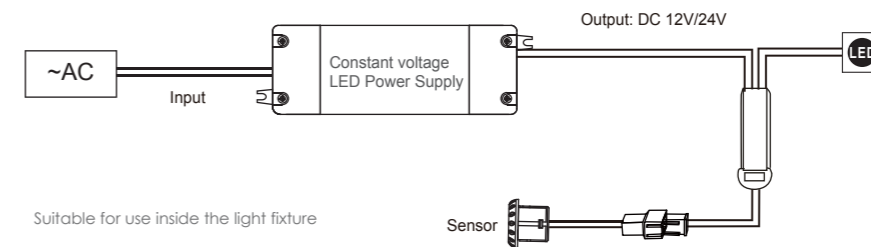
1. If mounted outside a door or a cabinet, please select the bistable function
2. Move hand over the sensor, the lamps turn on
3. Move hand over the sensor once again, the lamps turn off



■ HZK221



■ HZK231



IR Sensor Switch (Low Voltage)

Touch Switch



SHE-Z-60

■ Features

- IR sensor for LED lighting
- With 2 selectable functions before installation
- Detection range: less than 5cm(2") is recommended
- Selectable output connection: terminal block and mini plug

Sensor (Options)	Dimensions: (mm/inches)	Hole opening diameter(D)	Board thickness(L)	Attentions
Sensor 1: SLF5.876.017	$\phi 17.5$ (7/16") $\phi 11$ (7/16") 2000 (78-3/4")	$\phi 13$ mm ($\phi 1/2$ ")	> 1mm (1/16")	—
Sensor 2: SLF5.876.022	$\phi 17.5$ (7/16") $\phi 12$ (1/2") 2000 (78-3/4")	$\phi 13$ mm ($\phi 1/2$ ")	< 8mm (5/16")	—
Sensor 3: SLF5.876.027	$\phi 22.5$ (7/8") $\phi 10$ (3/8") 2000 (78-3/4")	$\phi 18$ mm ($\phi 11/16$ ")	< 5mm (3/16")	⚠ Transparent materials(Glass, Plexiglass, etc) should be installed close to the sensor without hindering function. The thickness of the material should be less than 6mm (1/4").

■ Application

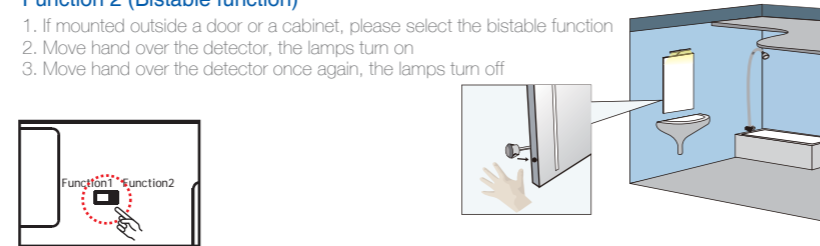
Function1 (Monostable function)

1. If mounted behind a door, please select the monostable function
2. Open the door, the lamps turn on
3. Close the door, the lamps turn off

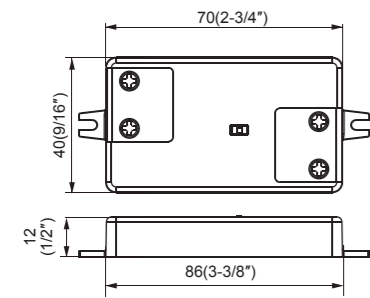


Function 2 (Bistable function)

1. If mounted outside a door or a cabinet, please select the bistable function
2. Move hand over the detector, the lamps turn on
3. Move hand over the detector once again, the lamps turn off



Dimensions: (mm/inches)

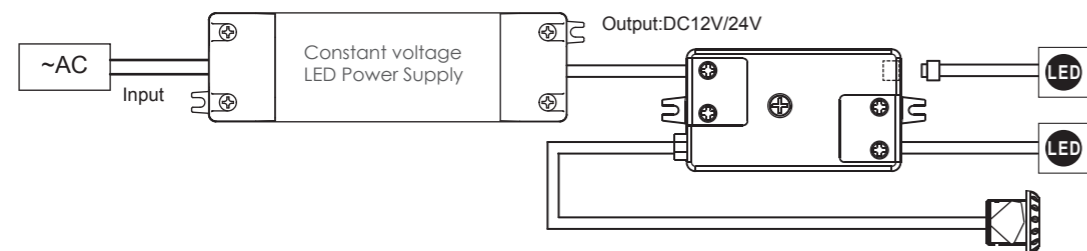


Plug into the socket



■ Characteristics

Model No.	Rated supply	Rated load
SHE-Z-60	DC 12V	Max.30W
	DC 24V	Max.60W



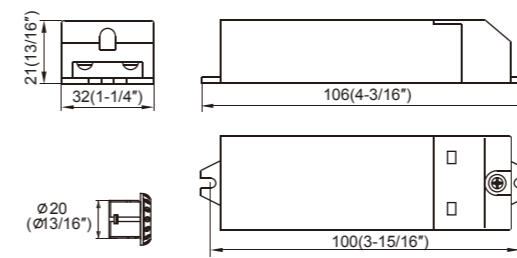
HZK201

■ Features

- Input voltage: 220-240V~50Hz
- Load: 500VA; Rated current: Max.2A
- LED Driver Rated load:240VA(AC 240V)
- Touching-wire length:Max.1.5m(59-1/16")
- Touch sensitivity adjustable



Dimensions: (mm/inches)



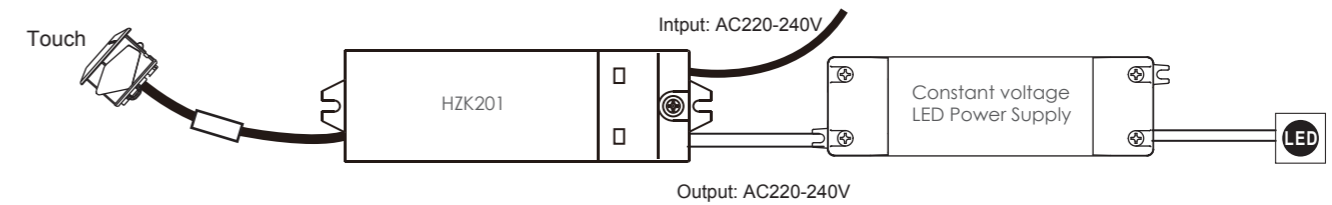
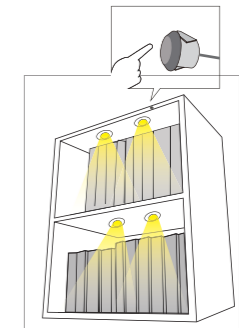
Fixed by screwing



■ Application

Inserted Touch Switch

1. Touch to power on
2. Touch again to power off





To control the lighting atmosphere freely, to maximize the beauty of modern life.

DALI System



Soft Start



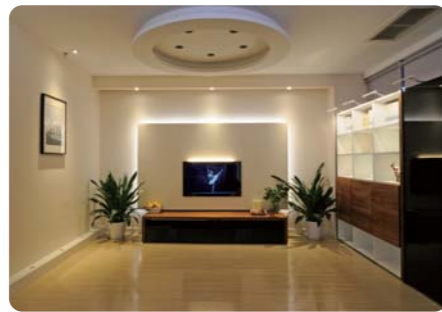
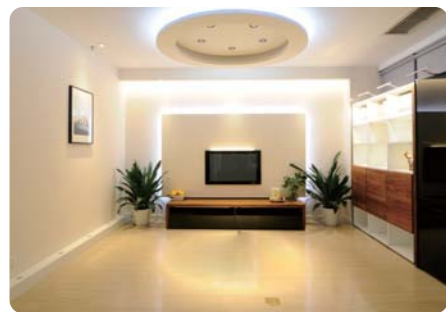
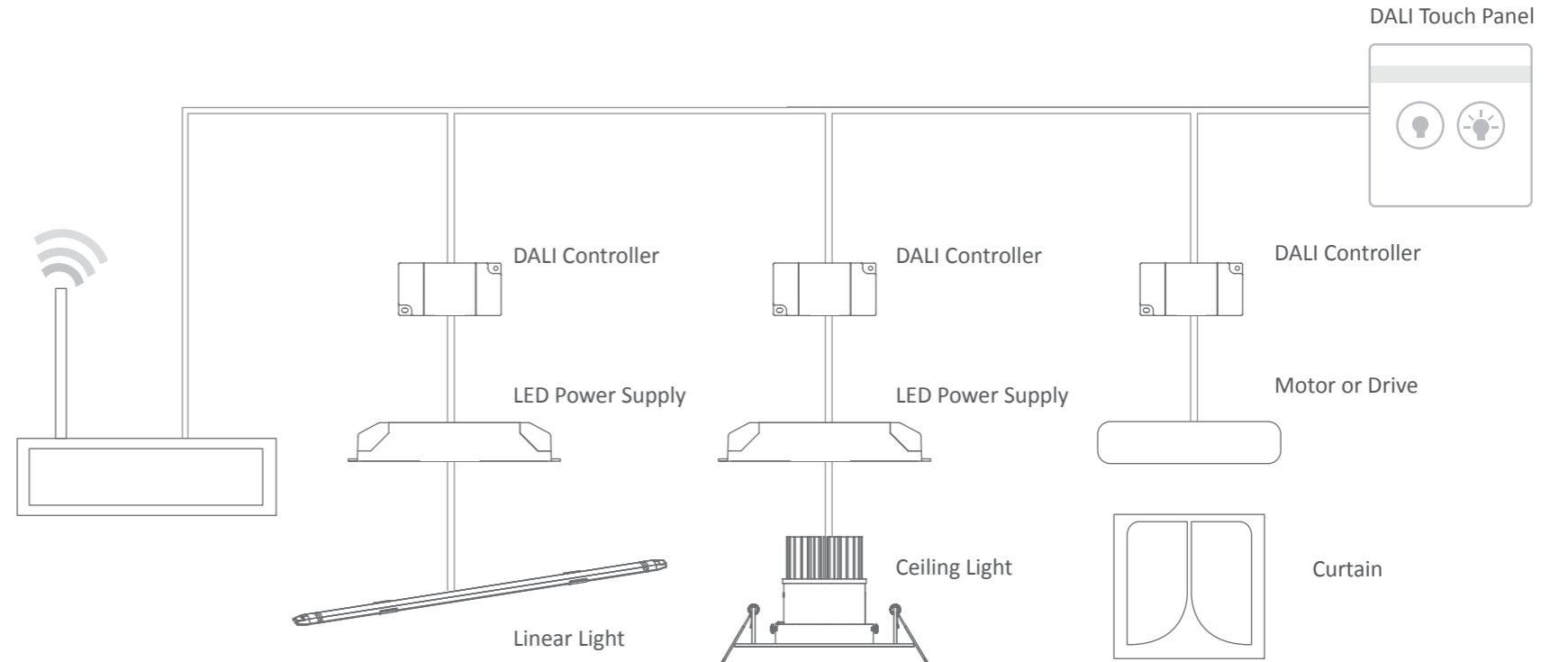
Others

DALI (Digital Addressable Lighting Interface) systems allow users not only to modulate and choose the correct lighting mode or brightness, but also to obtain notable energy savings by lighting only where and when it is absolutely necessary.



DALI intelligent home lighting control system

DALI intelligent home lighting control system



• All On Mode

• TV Mode

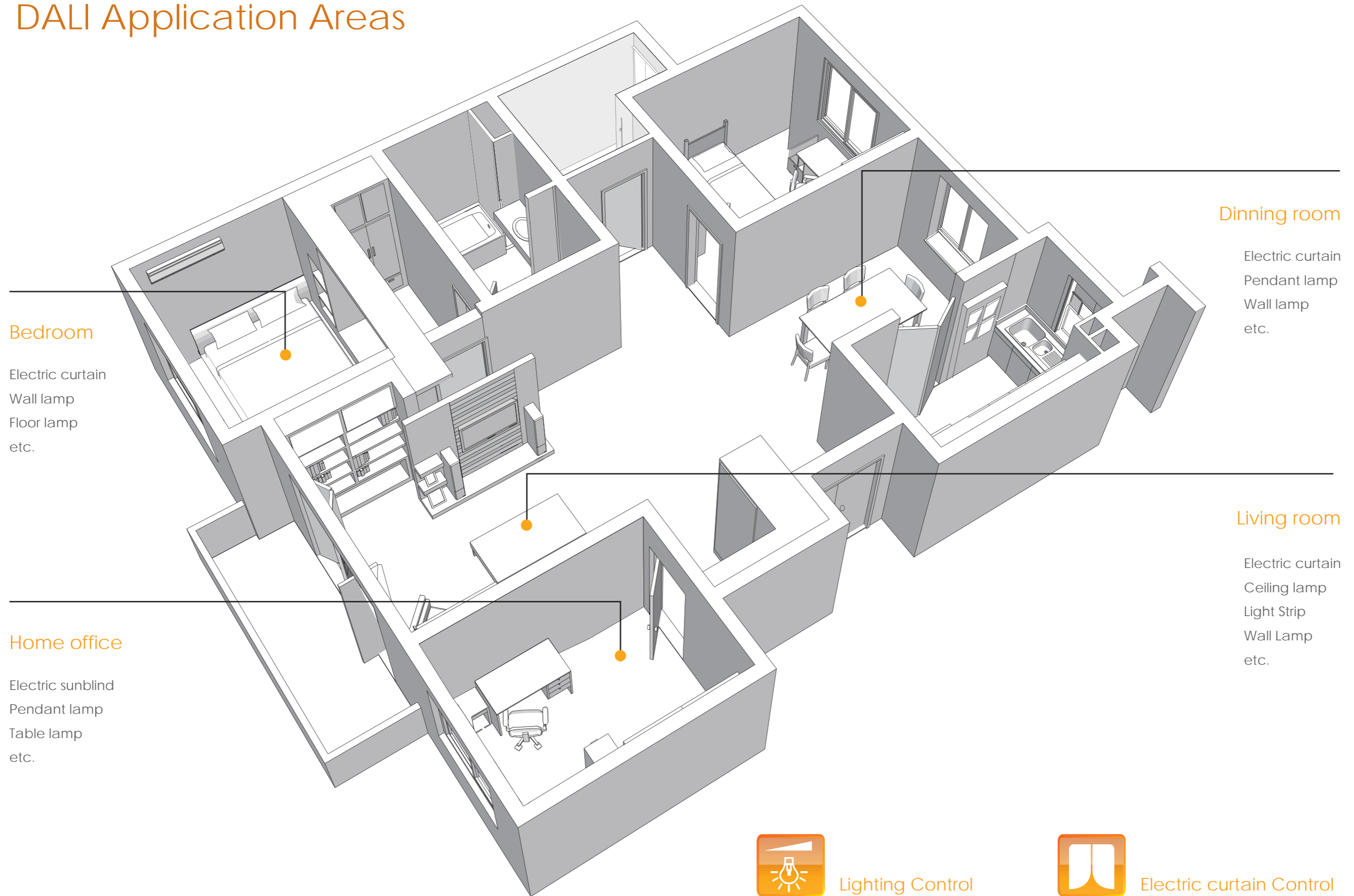
• Sleeping Mode



• To define the home lighting effects from different time and different area, the user can name the mode and number the mode personally, such as Welcome Mode, Reading Mode, Sleep Mode, etc., the total scenes could not be more than 16.

- Supporting multiple WIFI hosts, each host allows access of 64 control devices, including lighting controller and electric curtain controller.
- Can be scaled from one single room to a complete house.
- Quickly switching from scene adjustment to single device adjustment.
- Time setting function for power on/off, and scenes switching.
- Linked with touch panel makes the system more user friendly, elders and children can operate system easily as well.

DALI Application Areas



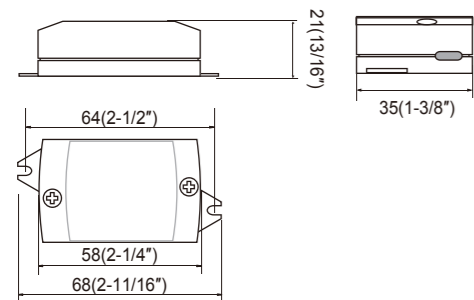
Soft-Start

Soft-Start



SELV CE

Dimensions: (mm/inches)



Standards

- EN61347-2-13
- EN61347-1
- EN55015
- EN61547

Characteristics

Model No.	Input Current	Input Voltage	ta	tc	L x W x H	Approval
SLC7-150IL-45 (Soft Start)	150mA~350mA	15-44V	-20~50°C	65°C	68x35x21mm (3-1/16"x1-9/16"x5/8")	CE

Features

- Soft-Start (in 2.5 seconds), combined with constant current power supply
- Open circuit, short circuit protection
- Auto restart after fault conditions removal

Diagram

