

AEK-HP High Performance Emergency Power Pack for T8 FL Lamps

Features:

- **AEK-HP** series is the upgraded version of AEK-20/40 system, with 3-pole change-over technology that totally eliminates the annoying shutdown problem and ensures maximum compatibility with all types of HF electronic ballasts. It also comes with 28mm height low profile metal housing
- Latest emergency power pack module designed for T8 FL and also 4-pin CFL lamps which provides 2 hours operating duration under emergency mode
- Suitable for fixed output and dimmable electronic ballasts
- Fitted with a Test Switch allows emergency operation of the single emergency luminaire to be tested by depressing push button test switch
- Small size in 28mm x 35mm cross sectional dimension that fits into slim luminaire

Specification:

Model Type:	AEK20-HP	AEK40-HP
Lamp Type:	T8 1x L18W	T8 1 x L36W
Battery Pack Capacity:	C-cell 2.5AH High Temp. NiCd	*C-cell 2.5AH High Temp. NiCd
Battery Voltage	4.8V	*6.0V
Mode of operation	Maintained	
Operating Duration:	2hours	2hours
Test Facility	Standard (push on test switch)	
Mains Supply Voltage:	220-240V, 50/60Hz	
Power consumption (under steady state):	< 4.0W	< 4.0W
Recharge period:	24 hours (48hours for first time)	
Trickle charge:	Constant current 75mA to 130mA	
Nominal Discharge Current at 2 hours duration:	1.1 A	1.1 A
Lumen factor	25% (Typical)	20% (Typical)
Safety feature	Low voltage cut-off to prevent over discharge of battery	
Ambient Temperature Range:	+5°C to +50°C	
Max. Case Temperature:	+70°C	
Min. lamp starting temp (Emergency mode)	+5°C	
Ingress protection	IP20	
Distance of mounting hole (mm)	220mm	
Casing Dimensions:	230mm (L) x 35mm (W) x 28mm (H)	
Compatibility	Suitable for operation with conventional and electronic ballast	
Compliance	According to SS490: Part 2.7, IEC 61347-2-7	
Approval	N.A.	
Warranty	1 year	

*subjects to change, pls consult TDE for further detail.

Mechanical Dimensions:

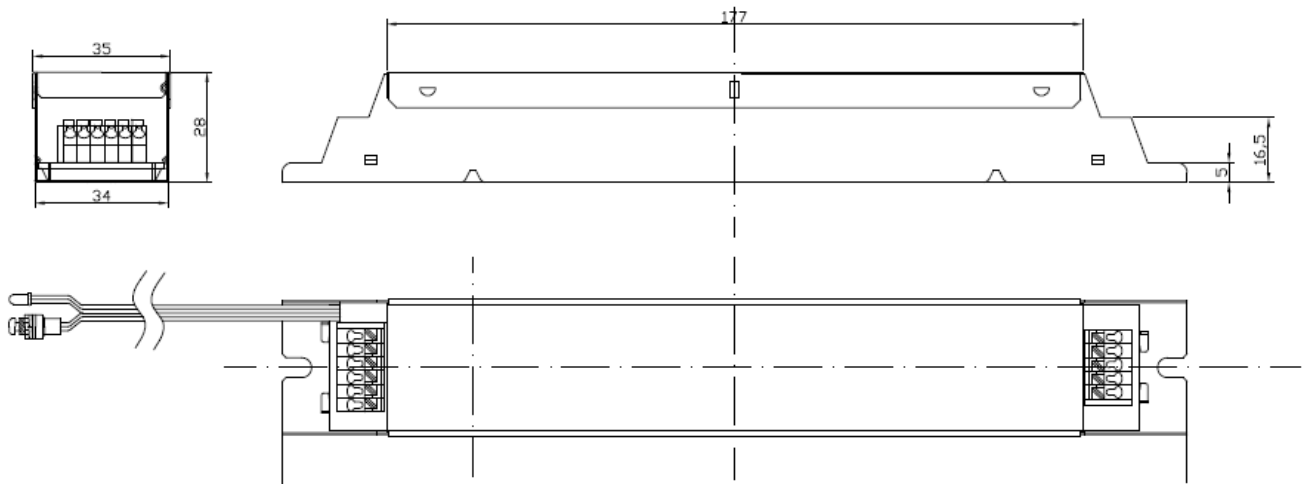


Diagram-1: mechanical outline, 230mm (L) x 35mm (W) x 28 mm (H)



Wiring Diagram:

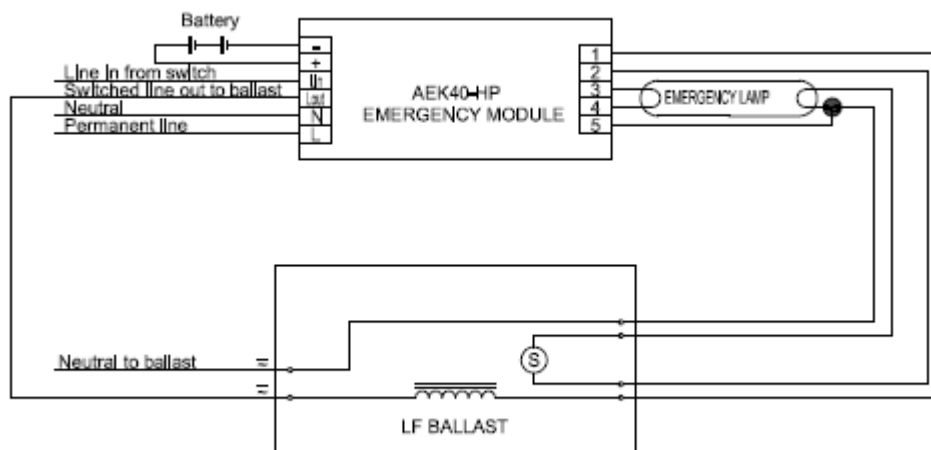


Diagram-1: wiring configuration of AEK-HP Emergency Power Pack module with magnetic ballast.

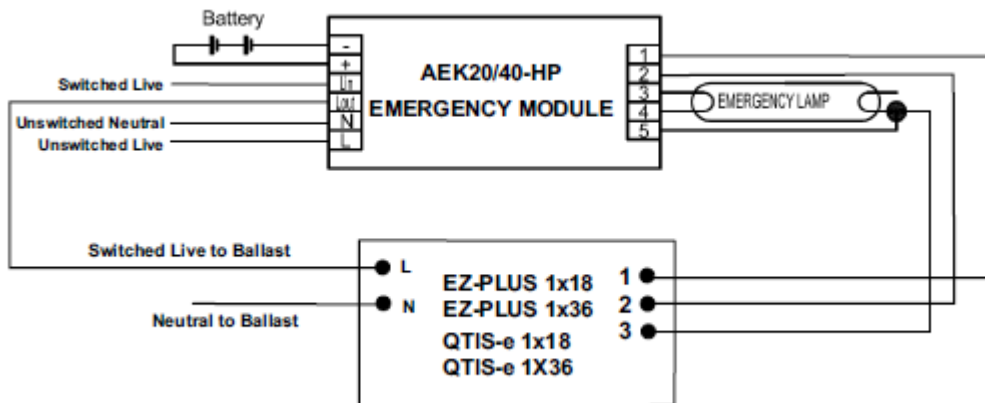


Diagram-2: wiring configuration of AEK-HP Emergency Power Pack module with single lamp electronics ballast

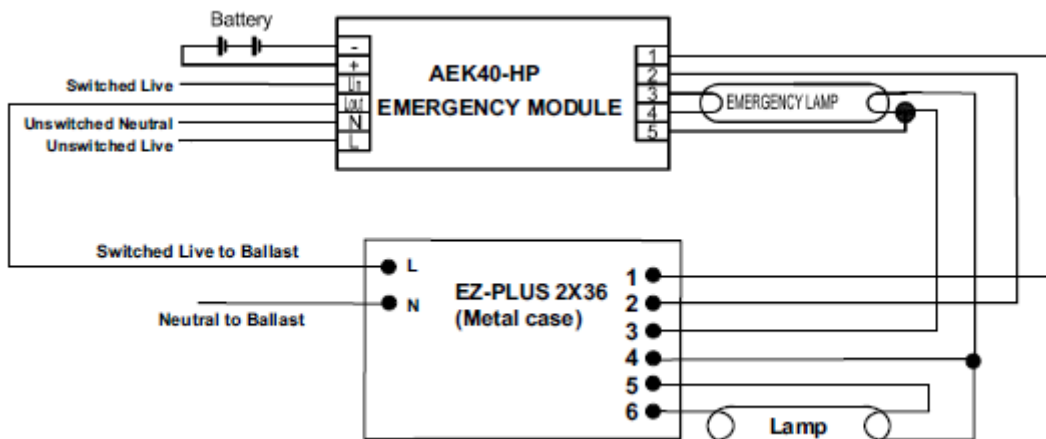


Diagram-3: wiring configuration of AEK-HP Emergency Power Pack module with double lamp electronics ballast

Application guide:

- Install the unit according to National Electric Code;
- To ensure maximum performance of the built-in battery, please fully charge the unit for 24hours after first installation;
- Caution: any improper wiring or short-circuit may lead to permanent damage to the unit;
- Lamp wire should be as short as possible to avoid unnecessary loading to the unit;
- Mount the unit away from any heat source to further prolong service life;
- Please ensure that the operating ambient temperature is below 50°C, and maximum case temperature (tc) not exceeding 70°C;
- Do not throw or drop the unit to avoid damage the internal electronic component;
- Do not operate this unit beyond the operating supply range;
- Do not operate this unit with AC power generator;
- Caution: DO NOT dispose this LED system into fire as it contains built-in battery that may causes serious explosion!